

BAS-311G

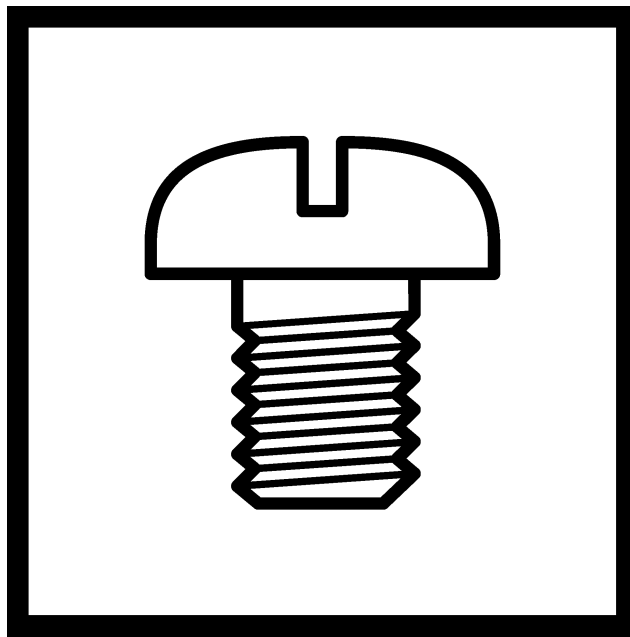
BAS-326G

ダイレクトドライブ

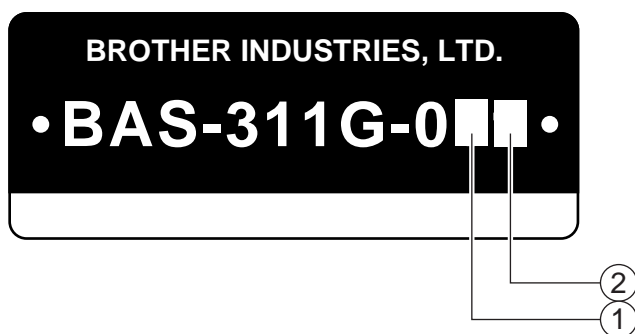
プログラム式電子ミシン

DIRECT DRIVE

PROGRAMMABLE ELECTRONIC PATTERN SEWER

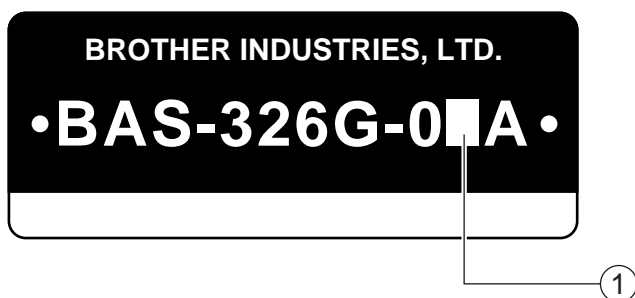


brother[®]



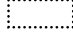
- ① — 1: 厚物 / Heavy-weight materials
- ① — 2: 中厚物 / Medium-weight materials

- ② — S: 電磁式押え上げ / Solenoid-type work clamp lifter
- ② — A: エアー式押え上げ / Pneumatic-type work clamp lifter



- ① — 1: 厚物 / Heavy-weight materials
- ① — 2: 中厚物 / Medium-weight materials

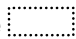
パーツブックご利用に際して

1. この本は、2005年03月のデータに基づいて作成されたものです。
2. 部品は予告なしに設計変更される場合があります。
3. 組単位で補給する部品は、破線で示してあります。
4. 部品コード欄が*となっている場合は、仕様別部品一覧表及びゲージ部品一覧表でお調べ下さい。
(54から56ページ)

目 次

| | |
|------------------------------|----|
| A. 主体関係 | 1 |
| B. 上軸・針棒関係 | 3 |
| C1. 送り関係 | 5 |
| C2. 送り関係 | 7 |
| C3. 送り関係 | 11 |
| C4. 送り関係 | 13 |
| D1. 押え上げ関係 | 15 |
| D2. 押え上げ関係 | 17 |
| D3. 押え上げ関係 | 19 |
| E. 下軸関係 | 21 |
| F. 給油潤滑関係 | 23 |
| G. 糸通し関係 | 25 |
| H. 糸巻関係 | 27 |
| J. 糸切り関係 | 29 |
| K. 糸払い関係 | 33 |
| L. 糸緩め関係 | 35 |
| M1. コントロールボックス関係 | 37 |
| M2. コントロールボックス関係(電源基板) | 39 |
| N. 操作パネル関係 | 39 |
| P. 空圧関係 | 41 |
| Q. 電装品関係 | 43 |
| R. モータ関係 | 45 |
| S. プログラマー関係 | 45 |
| T. 踏板関係 | 47 |
| Z. 付属品関係 | 49 |
| Wa. 警告ラベル | 53 |
| Sp. 仕様別部品一覧 | 54 |
| Ga. ゲージ部品一覧表 | 56 |
| 索引 | 57 |

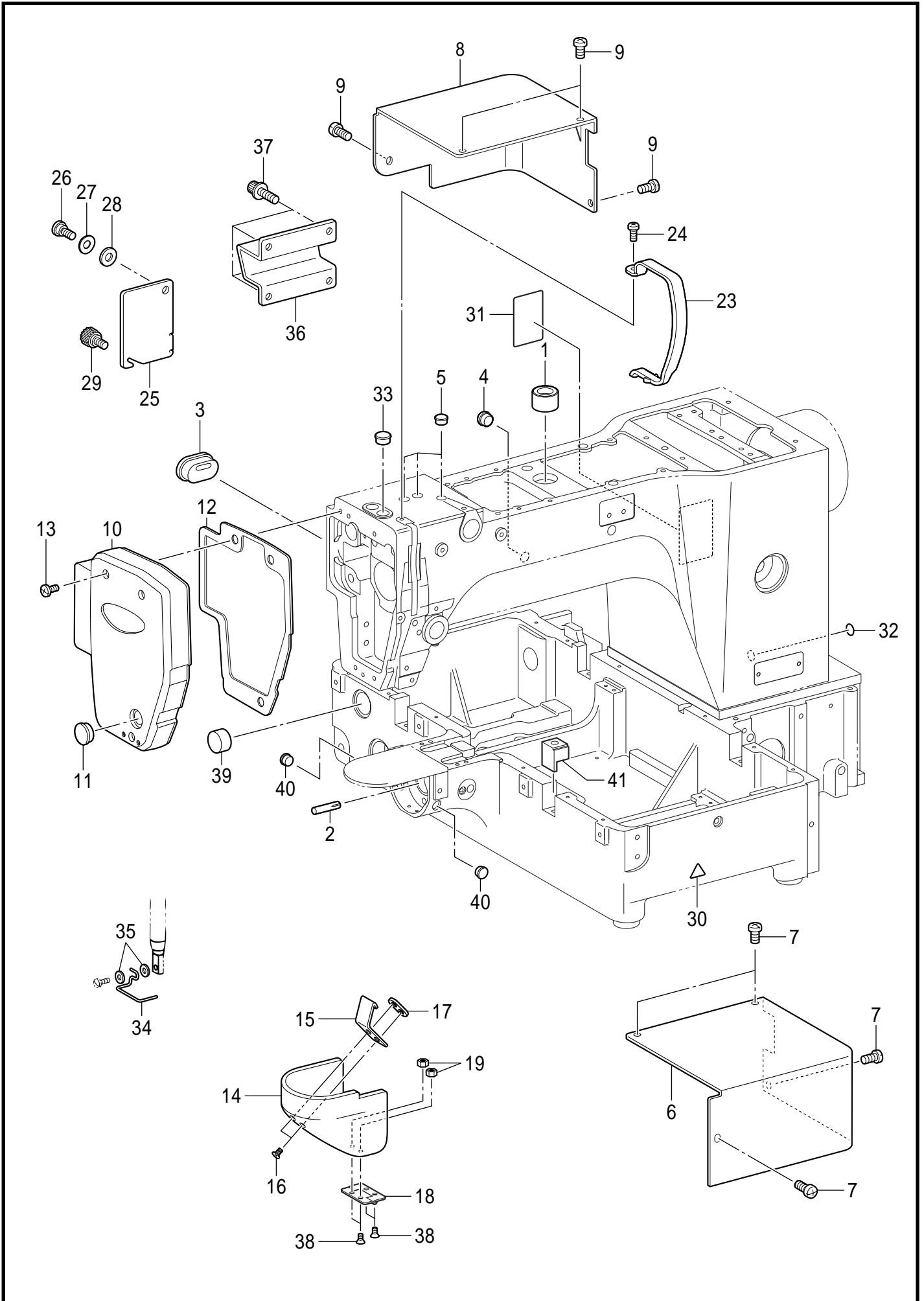
Notes for using this parts book

1. This book was prepared based on information available in March 2005.
2. Parts are subject to changes in design without prior notice.
3. Parts supplied as complete assemblies are circled by a dotted line .
4. If the symbol * is found in the " Parts No." column, refer to the different parts lists, gauge parts list on page 54 - 56.

CONTENTS

| | |
|---|----|
| A. Machine body | 1 |
| B. Upper shaft and needle bar mechanism | 3 |
| C1. Feed mechanism | 5 |
| C2. Feed mechanism | 7 |
| C3. Feed mechanism | 11 |
| C4. Feed mechanism | 13 |
| D1. Work clamp lifter mechanism | 15 |
| D2. Work clamp lifter mechanism | 17 |
| D3. Work clamp lifter mechanism | 19 |
| E. Lower shaft mechanism | 21 |
| F. Lubrication | 23 |
| G. Threading mechanism | 25 |
| H. Bobbin winder mechanism | 27 |
| J. Thread trimmer mechanism | 29 |
| K. Thread wiper mechanism | 33 |
| L. Tension release mechanism | 35 |
| M1. Control box mechanism | 37 |
| M2. Control box (PCB) mechanism | 39 |
| N. Operation panel mechanism | 39 |
| P. Air pressure mechanism | 41 |
| Q. Power supply equipment mechanism | 43 |
| R. Motor mechanism | 45 |
| S. Programmer | 45 |
| T. Foot switch pedal mechanism | 47 |
| Z. Accessories | 49 |
| Wa. Warning labels | 53 |
| Sp. Different parts list | 54 |
| Ga1. Gauge parts list | 56 |
| Index | 57 |

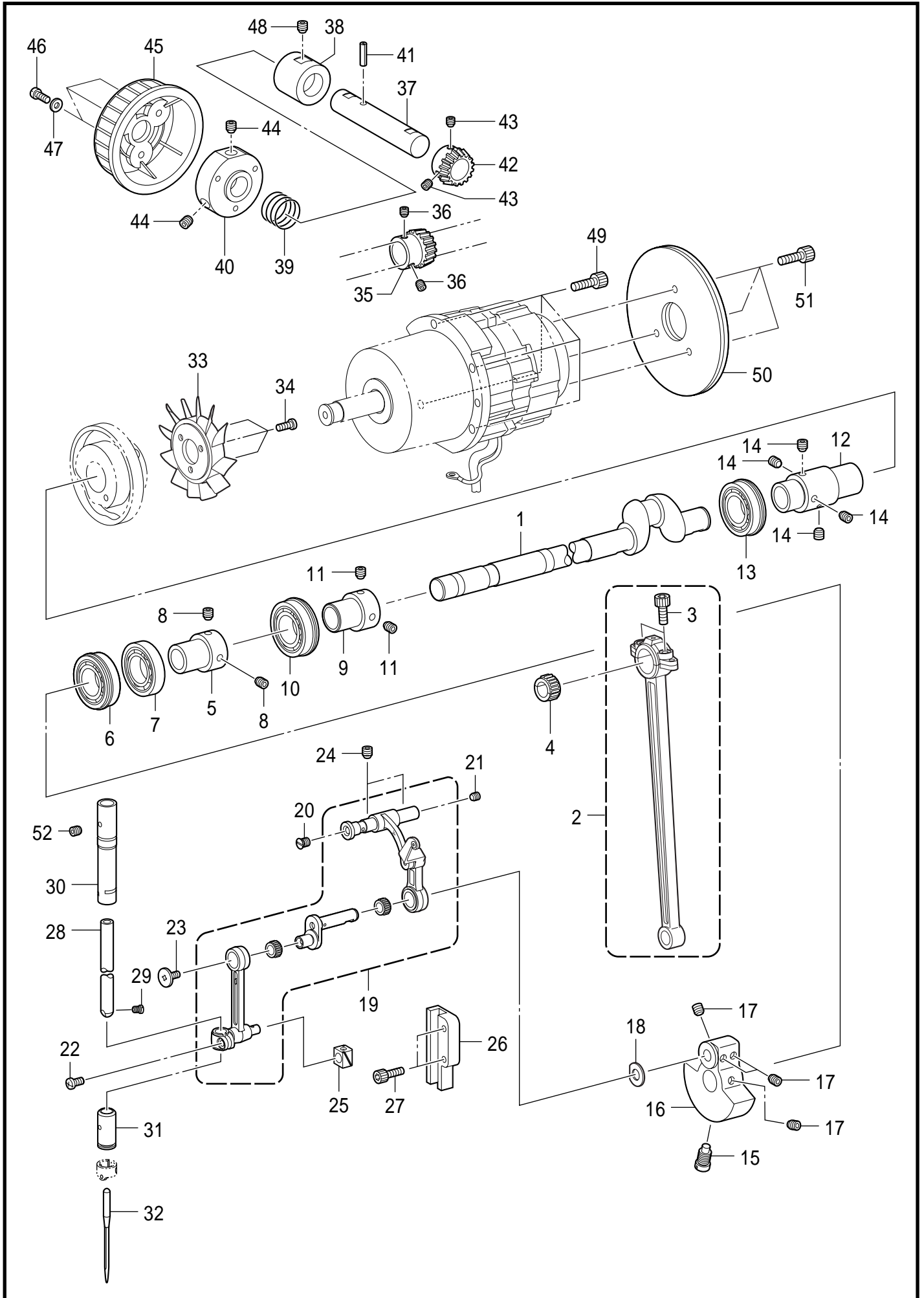
A . 主体関係 / Machine body



A. 主体関係 / Machine body

| REF.NO | CODE | Q'TY | 品名 | NAME OF PARTS | RM |
|--------|-----------|------|--------------------------|--|----|
| 1 | SA4594001 | 1 | オサエアゲメタルU | BUSHING U | |
| 2 | 117608001 | 1 | ミゾツキピン | DOWEL PIN | |
| 3 | SA4596001 | 1 | ゴムセン20-15 | RUBBER CAP 20-15 | |
| 4 | 117934001 | 1 | ゴムセン13.5 | RUBBER CAP, 13.5 | |
| 5 | 104821001 | 3 | ゴムセン10.5 | RUBBER CAP, 10.5 | |
| 6 | SA4597001 | 1 | モータカバー-R | MOTOR COVER R | |
| 7 | 062061016 | 4 | ナベコ6X10 | SCREW PAN M6X10 | |
| 8 | SA4598001 | 1 | モータカバー-L | MOTOR COVER L | |
| 9 | 062061016 | 4 | ナベコ6X10 | SCREW PAN M6X10 | |
| 10 | SA4600001 | 1 | メンイタ | FACE PLATE | |
| 11 | 104449001 | 1 | ゴムセン15.5 | RUBBER CAP, 15.5 | |
| 12 | SA4601001 | 1 | メンイタパッキン | F-PLATE PACKING | |
| 13 | 062061016 | 3 | ナベコ6X10 | SCREW PAN M6X10 | |
| 14 | SA4603101 | 1 | オオカマカバー | SHUTTLE RACE COVER | |
| 15 | SA6272001 | 1 | オオカマカバー-フツクD | SHUTTLE RACE COVER HOOK D | |
| 16 | 004300513 | 2 | +サラコ3X5 | SCREW, FLAT M3X5 | |
| 17 | SA3264001 | 1 | イタナツト | NUT PLATE | |
| 18 | SA6207001 | 1 | チョウバン | HINGE | |
| 19 | 021300103 | 2 | 1シュナツト3 | NUT, 1 M3 | |
| 23 | SA3200101 | 1 | テンビンカバー | THREAD TAKE-UP COVER | |
| 24 | 062401006 | 1 | ナベコ4X10 | SCREW PAN M4X10 | |
| 25 | SA4604001 | 1 | カンケツカバー | STEPPING COVER | |
| 26 | SA3306001 | 1 | ダンネジ7-3 | SHOULDER SCREW,7-3 | |
| 27 | 120265002 | 1 | ナミバネザガネ | SPRING WASHER | |
| 28 | S07350002 | 1 | ザガネ | WASHER PLAIN | |
| 29 | S36475000 | 1 | ツマミネジM5 | SCREW, M5 | |
| 30 | S36924001 | 1 | ワーニングマーク | MARK, INJURY | |
| 31 | SA2040001 | 1 | <日本向> ラベルチュウイ.ウエイ | <For Japan only> LABEL, CAUTION JPN/ENG | |
| 31 | SA2041011 | 1 | <日本向以外> ラベルチュウイ.チュウエイ | <For Except Japan> LABEL, CAUTION CHN/ENG | |
| 32 | S37060001 | 1 | アースマーク | LABEL, GROUNDING | |
| 33 | S20164001 | 1 | ゴムセン13 | RUBBER CAP, 13 | |
| 34 | S02445001 | 1 | フィンガーガード | FINGER GUARD | |
| 35 | 025350332 | 2 | ヒラザガネダイ3.5 | WASHER PLAIN L 3.5 | |
| 36 | SA4605001 | 1 | マクラ | HEAD REST | |
| 37 | S42446001 | 4 | アナボルトザクミ6X14 | BOLT, SOCKET (S/P WASHER)M6X14 | |
| 38 | 062300506 | 4 | ナベコ3X5 | SCREW PAN M3X5 | |
| 39 | SA6194001 | 1 | ゴムセン26 | RUBBER CAP 26 | |
| 40 | S44010001 | 2 | ゴムセン11.5 | RUBBER CAP 11.5 | |
| 41 | SA6441001 | 2 | LMキャップ | LM CAP | |

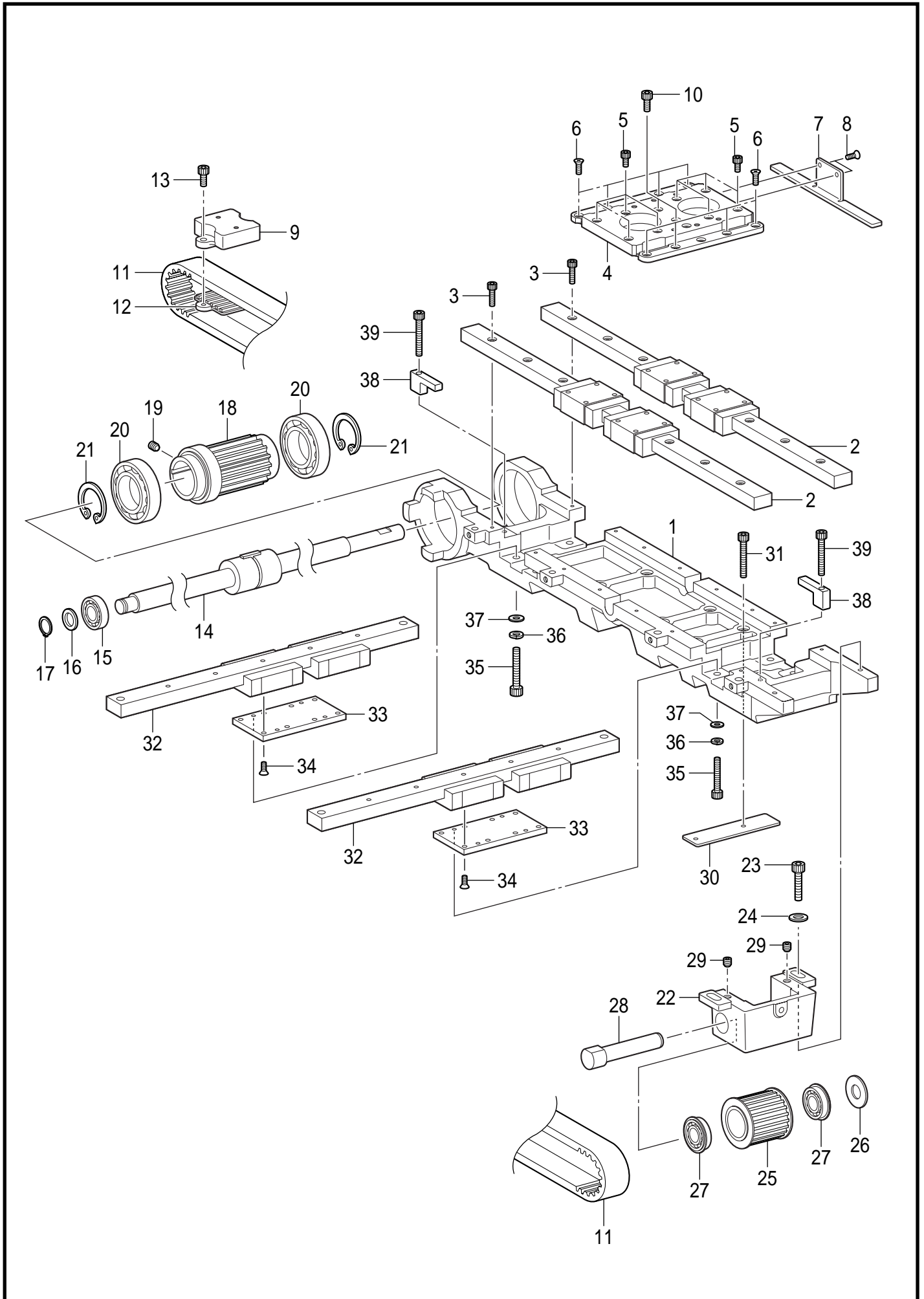
B. 上軸・針棒関係 / Upper shaft and needle bar mechanism



B. 上軸 ・ 針棒関係 / Upper shaft and needle bar mechanism

| REF.NO | CODE | Q'TY | 品名 | NAME OF PARTS | RM |
|--------|-----------|------|-----------------|-----------------------------|----|
| 1 | SA4606001 | 1 | ウワジク | UPPER SHUFT | |
| 2 | SA3499001 | 1 | クランクロツドクミ | CRANK ROD ASSY | |
| 3 | 018501636 | 2 | アナボルト5X16 | BOLT SOCKET M5X16 | |
| 4 | SA4172001 | 2 | ニードルベアリング: 青色 | NEEDLE BEARING: BLUE | |
| 4 | SA4173001 | 2 | ニードルベアリング: 黒色 | NEEDLE BEARING: BLACK | |
| 4 | SA4174001 | 2 | ニードルベアリング: 灰色 | NEEDLE BEARING: GRAY | |
| 4 | SA4175001 | 2 | ニードルベアリング: 黄色 | NEEDLE BEARING: YELLOW | |
| 5 | SA3206001 | 1 | ベアリングブツシュ | BALL BEARING BUSH | |
| 6 | SA4179001 | 1 | タマジクウケ6904DDUNR | BALL BEARING 6904DDUNR | |
| 7 | SA4180001 | 1 | タマジクウケ6904DDU | BALL BEARING 6904DDU | |
| 8 | S23651001 | 2 | アナヒラ6X6ホソメ | SET SCREW, SOCKET (FT) M6X6 | |
| 9 | SA3206001 | 1 | ベアリングブツシュ | BALL BEARING BUSH | |
| 10 | SA4177001 | 1 | タマジクウケ6004DDUNR | BALL BEARING 6004DDUNR | |
| 11 | S23651001 | 2 | アナヒラ6X6ホソメ | SET SCREW, SOCKET (FT) M6X6 | |
| 12 | SA4608101 | 1 | ツギテG | JOINT G | |
| 13 | SA4178001 | 1 | タマジクウケ6204DDUNR | BALL BEARING 6204DDUNR | |
| 14 | S23651001 | 4 | アナヒラ6X6ホソメ | SET SCREW, SOCKET (FT) M6X6 | |
| 15 | S25235001 | 1 | シメネジ8 | SCREW, M8 | |
| 16 | SA4609101 | 1 | ツリアイクランクG | THREAD TAKE-UP CRANK G | |
| 17 | S23651001 | 4 | アナヒラ6X6ホソメ | SET SCREW, SOCKET (FT) M6X6 | |
| 18 | 110367001 | 1 | ザガネ | WASHER, PLAIN SPECIAL 8 | |
| 19 | SA6182001 | 1 | ハリボウレンカンFKクミ | THREAD TAKE-UP LEVER FK SET | |
| 20 | SA2958001 | 1 | サラネジ5X6 | SCREW FLAT M5X6 | |
| 21 | 012500536 | 1 | アナヒラ5X5 | SET SCREW SOCKET (FT) M5X5 | |
| 22 | 062400816 | 1 | ナベコ4X8 | SCREW PAN M4X8 | |
| 23 | 145465001 | 1 | シメネジ3.57L | SCREW, SM3.57-40X6 L | |
| 24 | 012060636 | 2 | アナヒラ6X6 | SET SCREW SOCKET (FT) M6X6 | |
| 25 | 142211001 | 1 | カクコマ | SLIDE BLOCK | |
| 26 | SA3528001 | 1 | カクコマアンナイB | SLIDE BLOCK GUIDE | |
| 27 | 018401636 | 2 | アナボルト4X16 | BOLT SOCKET M4X16 | |
| 28 | SA4622001 | 1 | ハリボウ | NEEDLE BAR | |
| 29 | 144458001 | 1 | アタマツキトメネジ3.57 | SET SCREW, SM3.57-40X4.5 | |
| 30 | SA4666001 | 1 | ハリボウメタルUK | NEEDLE BAR BUSH UK | |
| 31 | SA3224001 | 1 | ハリボウメタルD | NEEDLE BAR BUSH,D | |
| 32 | * | 1 | ミシンハリ | NEEDLE | |
| 33 | S38713100 | 1 | ファン | FAN | |
| 34 | 062401006 | 3 | ナベコ4X10 | SCREW PAN M4X10 | |
| 35 | SA6108001 | 1 | プーリギア R | PULLEY GEAR R | |
| 36 | 012500536 | 2 | アナヒラ5X5 | SET SCREW SOCKET (FT) M5X5 | |
| 37 | SA4626001 | 1 | プーリジク | PULLEY SHUFT | |
| 38 | SA4627001 | 1 | プーリメタル | PULLEY BUSH | |
| 39 | SA4628001 | 1 | プーリバネ | PULLEY SPRING | |
| 40 | SA4629001 | 1 | プーリダイ | PULLEY BASE | |
| 41 | 047401242 | 1 | スプリングピンAW4 | PIN SPRING ROLL AW4 | |
| 42 | SA4624001 | 1 | プーリギア L | PULLEY GEAR L | |
| 43 | 012500536 | 2 | アナヒラ5X5 | SET SCREW SOCKET (FT) M5X5 | |
| 44 | S23651001 | 2 | アナヒラ6X6ホソメ | SET SCREW, SOCKET (FT) M6X6 | |
| 45 | SA4630001 | 1 | プーリ | PULLEY | |
| 46 | 062401006 | 3 | ナベコ4X10 | SCREW PAN M4X10 | |
| 47 | SA5158001 | 3 | ヒラザガネダイ4アツ | WASHER PLAIN L 4 | |
| 48 | 012060636 | 1 | アナヒラ6X6 | SET SCREW SOCKET (FT) M6X6 | |
| 49 | 018501636 | 4 | アナボルト5X16 | BOLT SOCKET M5X16 | |
| 50 | SA5230001 | 2 | フライホイール2 | FRIES WHEEL 2 | |
| 51 | 018401036 | 3 | アナボルト4X10 | BOLT SOCKET M4X10 | |
| 52 | 012060536 | 1 | アナヒラ6X5 | SET SCREW SOCKET (FT) M6X5 | |

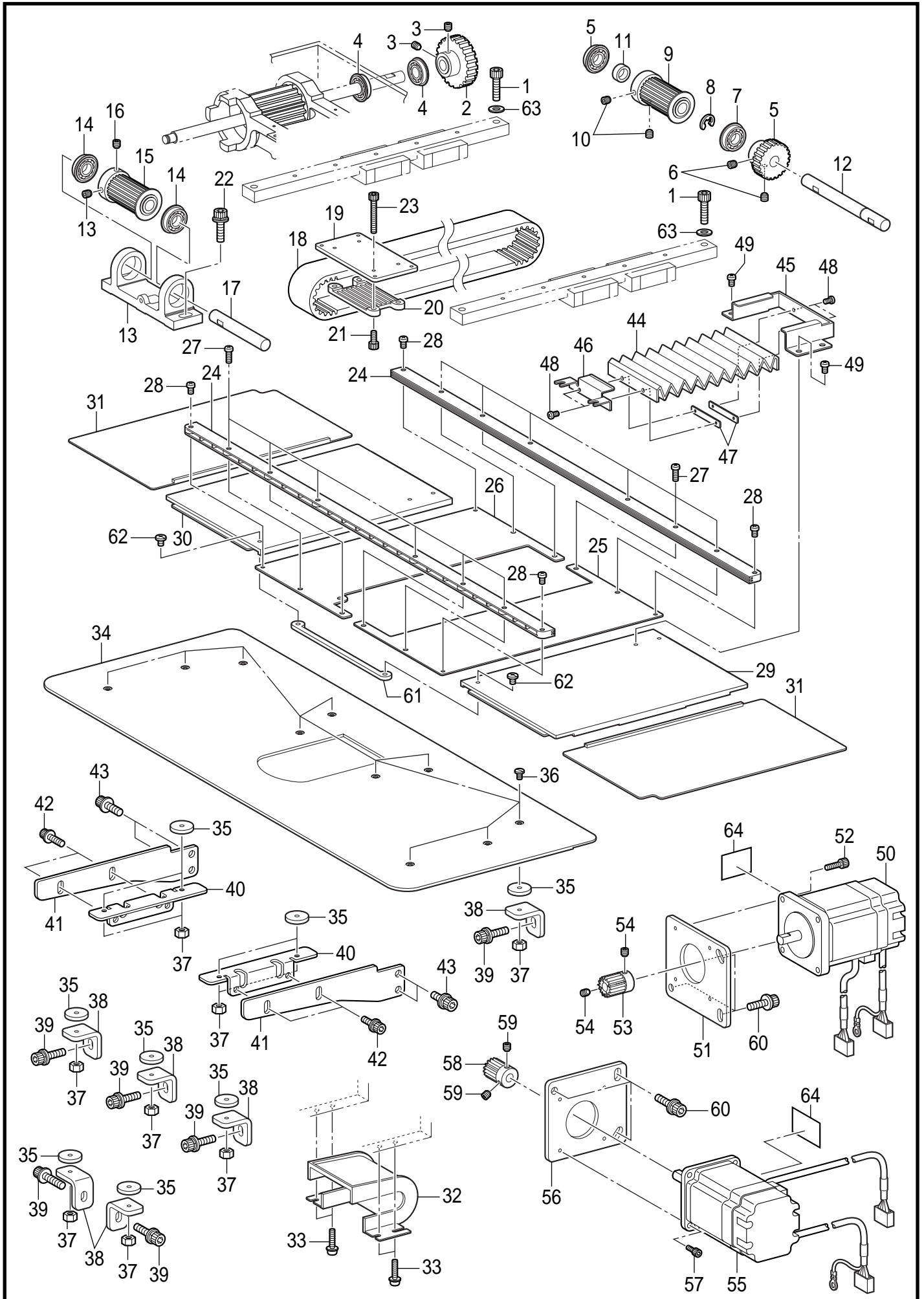
C1. 送り関係 / Feed mechanism



C1. 送り関係 / Feed mechanism

| REF.NO | CODE | Q'TY | 品名 | NAME OF PARTS | RM |
|--------|-----------|------|----------------|-----------------------------|----|
| 1 | SA5229101 | 1 | オクリドダイクミ | FEED BRACKET ASSY | |
| 2 | SA4637001 | 2 | X-LMガイド | X-LM GUIDE | |
| 3 | 018301436 | 16 | アナボルト3X14 | BOLT SOCKET M3X14 | |
| 4 | SA4635101 | 1 | Xオクリダイ | FEED BRACKET X | |
| 5 | 018300636 | 8 | アナボルト3X6 | BOLT SOCKET M3X6 | |
| 6 | 061300616 | 8 | サラコ3X6 | SCREW FLAT M3X6 | |
| 7 | SA4636101 | 1 | Xセンサーイタ | X-SENSOR PLATE | |
| 8 | 061300616 | 2 | サラコ3X6 | SCREW FLAT M3X6 | |
| 9 | SA4641001 | 1 | Xベルトホルダー | X-BELT HOLDER | |
| 10 | 018400836 | 2 | アナボルト4X8 | BOLT SOCKET M4X8 | |
| 11 | SA4649001 | 1 | X-GTベルト | X-GT BELT | |
| 12 | SA4640001 | 1 | Xベルトホジイタ | X-BELT HOLDER PLATE | |
| 13 | 018400836 | 2 | アナボルト4X8 | BOLT SOCKET M4X8 | |
| 14 | SA4639001 | 1 | Yボールスプライン | Y-BALL SPLINE | |
| 15 | 076000600 | 1 | Rタマジクウケ6000VV | BALL BEARING RADIAL 6000VV | |
| 16 | 025100132 | 1 | ヒラザガネショウ10 | WASHER PLAIN S 10 | |
| 17 | 048100142 | 1 | トメワジクヨウC10 | RETAINING RING EXTERNAL C10 | |
| 18 | SA4638001 | 1 | Xレフトプーリー | X-LEFT PULLEY | |
| 19 | 012060636 | 1 | アナヒラ6X6 | SET SCREW SOCKET (FT) M6X6 | |
| 20 | 076806606 | 2 | タマジクウケ6806VV | BALL BEARING 6806VV | |
| 21 | 048420242 | 2 | トメワアナヨウC42 | RETAINING RING INTERNAL C42 | |
| 22 | SA4642001 | 1 | Xプーリーダイ | X-PULLEY BRACKET | |
| 23 | 018501636 | 2 | アナボルト5X16 | BOLT SOCKET M5X16 | |
| 24 | 025050236 | 2 | ヒラザガネチュウ5 | WASHER PLAIN M 5 | |
| 25 | SA4643001 | 1 | Xライトプーリークミ | X-RIGHT PULLEY ASSY | |
| 26 | S20356001 | 1 | ヒラザガネ10 | WASHER, PLAIN 10 | |
| 27 | SA4647001 | 2 | タマジクウケ6900ZZNR | BALL BEARING 6900ZZNR | |
| 28 | SA4648001 | 1 | Xプーリーシテンジク | X-PULLEY FULCRUM SHAFT | |
| 29 | 012060636 | 2 | アナヒラ6X6 | SET SCREW SOCKET (FT) M6X6 | |
| 30 | SA4650001 | 1 | Yセンサーイタ | Y-SENSOR PLATE | |
| 31 | 018402036 | 2 | アナボルト4X20 | BOLT SOCKET M4X20 | |
| 32 | SA4651101 | 2 | Y-LMガイド | Y-LM GUIDE | |
| 33 | SA4652101 | 2 | Y-LMスペーサ | Y-LM SPACER | |
| 34 | 061300616 | 16 | サラコ3X6 | SCREW FLAT M3X6 | |
| 35 | 018402036 | 8 | アナボルト4X20 | BOLT SOCKET M4X20 | |
| 36 | 025040236 | 8 | ヒラザガネチュウ4 | WASHER PLAIN M 4 | |
| 37 | 028040246 | 8 | バネザガネ2-4 | WASHER SPRING 2-4 | |
| 38 | SA6267001 | 2 | オクリストッパー | FEED STOPPER | |
| 39 | 018402036 | 2 | アナボルト4X20 | BOLT SOCKET M4X20 | |

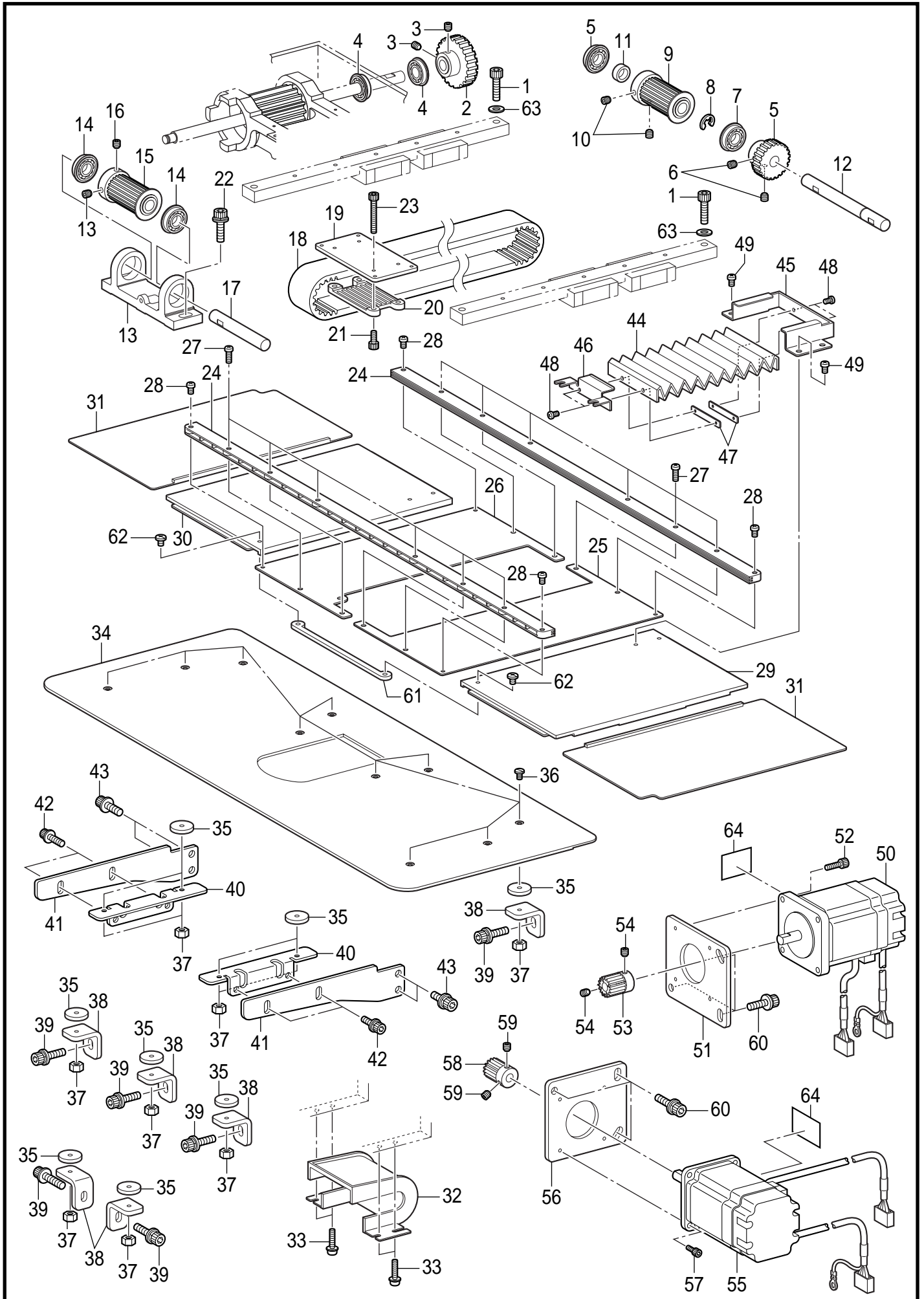
C2 . 送り関係 / Feed mechanism



C2. 送り関係 / Feed mechanism

| REF.NO | CODE | Q'TY | 品名 | NAME OF PARTS | RM |
|--------|-----------|------|----------------|--------------------------------|----|
| 1 | 018062036 | 4 | アナボルト6X20 | BOLT SOCKET M6X20 | |
| 2 | SA4653001 | 1 | Xオクリギヤ | X-FEED GEAR | |
| 3 | 012060636 | 2 | アナヒラ6X6 | SET SCREW SOCKET (FT) M6X6 | |
| 4 | SA4647001 | 2 | タマジクウケ6900ZZNR | BALL BEARING 6900ZZNR | |
| 5 | SA4654001 | 1 | Yオクリギヤ | Y-FEED GEAR | |
| 6 | 012060636 | 2 | アナヒラ6X6 | SET SCREW SOCKET (FT) M6X6 | |
| 7 | SA4647001 | 2 | タマジクウケ6900ZZNR | BALL BEARING 6900ZZNR | |
| 8 | 048080342 | 1 | トメワE8 | RETAINING RING E8 | |
| 9 | SA4655101 | 1 | Yプーリークミ | Y-PULLEY ASSY | |
| 10 | 012060636 | 2 | アナヒラ6X6 | SET SCREW SOCKET (FT) M6X6 | |
| 11 | SA4658001 | 1 | Yプーリーカラ | Y-PULLEY COLLAR | |
| 12 | SA4659001 | 1 | Yプーリークドウジク | Y-PULLEY DRIVING SHAFT | |
| 13 | SA4661001 | 1 | Yプーリーダイ | Y-PULLEY BRACKET | |
| 14 | SA4647001 | 2 | タマジクウケ6900ZZNR | BALL BEARING 6900ZZNR | |
| 15 | SA4655101 | 1 | Yプーリークミ | Y-PULLEY ASSY | |
| 16 | 012060636 | 2 | アナヒラ6X6 | SET SCREW SOCKET (FT) M6X6 | |
| 17 | SA4662001 | 1 | Yプーリーシテンジク | Y-PULLEY FULCRUM SHAFT | |
| 18 | SA4663001 | 1 | Y-GTベルト | Y-GT BELT | |
| 19 | SA4664001 | 1 | Yベルトササエイタ | BELT SUPPORT PLATE Y | |
| 20 | SA4665001 | 1 | Yベルトオサエイタ | Y-BELT WORK CLAMP PLATE | |
| 21 | 018400836 | 4 | アナボルト4X8 | BOLT SOCKET M4X8 | |
| 22 | S42446001 | 2 | アナボルトザクミ6X14 | BOLT, SOCKET (S/P WASHER)M6X14 | |
| 23 | 018402036 | 4 | アナボルト4X20 | BOLT SOCKET M4X20 | |
| 24 | SA4667101 | 2 | カバーレール | COVER RAIL | |
| 25 | SA4671001 | 1 | コテイカバー-R | FIXATION R | |
| 26 | SA4672001 | 1 | コテイカバー-L | FIXATION L | |
| 27 | 062401016 | 12 | ナベコ4X10 | SCREW PAN M4X10 | |
| 28 | 062400416 | 4 | ナベコ4X4 | SCREW, PAN M4X4 | |
| 29 | SA4860101 | 1 | ウチカバー-Rクミ | INSIDE COVER R ASSY | |
| 30 | SA4861101 | 1 | ウチカバー-Lクミ | INSIDE COVER L ASSY | |
| 31 | SA4670101 | 2 | ソトカバークミ | OUTSIDE COVER ASSY | |
| 32 | SA4673001 | 1 | Yベルトカバー | BELT COVER Y | |
| 33 | 0A5401006 | 4 | +ナベザクミ4X10DB | SCREW PAN (S/P WASHER) M4X10 | |
| 34 | SA4675201 | 1 | ハリイタホジョイタ | AUXILIARY PLATE | |
| 35 | SA4677101 | 10 | ホジョイタクッション | AUXILIARY PLATE CUSHION | |
| 36 | S23849001 | 10 | シメネジ4X16 | SCREW,M4X16 | |
| 37 | 021400216 | 6 | 2シュナット4 | NUT 2 M4 | |
| 38 | SA4676001 | 6 | ホジョイタブラケット | AUXILIARY PLATE BRACKET | |
| 39 | S42446001 | 6 | アナボルトザクミ6X14 | BOLT, SOCKET (S/P WASHER)M6X14 | |
| 40 | SA6434001 | 2 | ホジョイタササエU | SUPPORT PLATE GUIDE U | |
| 41 | SA6435001 | 2 | ホジョイタササエD | SUPPORT PLATE GUIDE D | |
| 42 | S55484001 | 4 | アナボルトザクミ5X10 | BOLT, SOCKET (S/P WASHER)M5X10 | |
| 43 | S42446001 | 4 | アナボルトザクミ6X14 | BOLT, SOCKET (S/P WASHER)M6X14 | |
| 44 | SA4679101 | 1 | ジャバラ | BELLOW | |
| 45 | SA4680101 | 1 | ジャバラオサエR | BELLOW PRESSER R | |
| 46 | SA4681001 | 1 | ジャバラオサエF | BELLOW PRESSER F | |
| 47 | SA4682001 | 2 | ジャバラナット | BELLOW NUT | |
| 48 | 062300416 | 4 | ナベコ3X4 | SCREW PAN M3X4 | |
| 49 | 062400416 | 4 | ナベコ4X4 | SCREW, PAN M4X4 | |
| 50 | SA4820101 | 1 | パルスモータXクミ | PULSE MOTOR ASSY X | |
| 51 | SA4684001 | 1 | モータトリツケイタ | MOTOR BRACKET PLATE | |
| 52 | 018401036 | 4 | アナボルト4X10 | BOLT SOCKET M4X10 | |
| 53 | SA3707001 | 1 | クドウギヤ16 | GEAR 16 | |
| 54 | 012060636 | 2 | アナヒラ6X6 | SET SCREW SOCKET (FT) M6X6 | |
| 55 | SA4823101 | 1 | パルスモータYクミ | PULSE MOTOR ASSY Y | |
| 56 | SA4684001 | 1 | モータトリツケイタ | MOTOR BRACKET PLATE | |
| 57 | 018401036 | 4 | アナボルト4X10 | BOLT SOCKET M4X10 | |
| 58 | SA3707001 | 1 | クドウギヤ16 | GEAR 16 | |
| 59 | 012060636 | 2 | アナヒラ6X6 | SET SCREW SOCKET (FT) M6X6 | |
| 60 | S42446001 | 6 | アナボルトザクミ6X14 | BOLT, SOCKET (S/P WASHER)M6X14 | |
| 61 | SA6306001 | 1 | カバーレンケツイタ | COVER CONNECT PLATE | |

C2 . 送り関係 / Feed mechanism

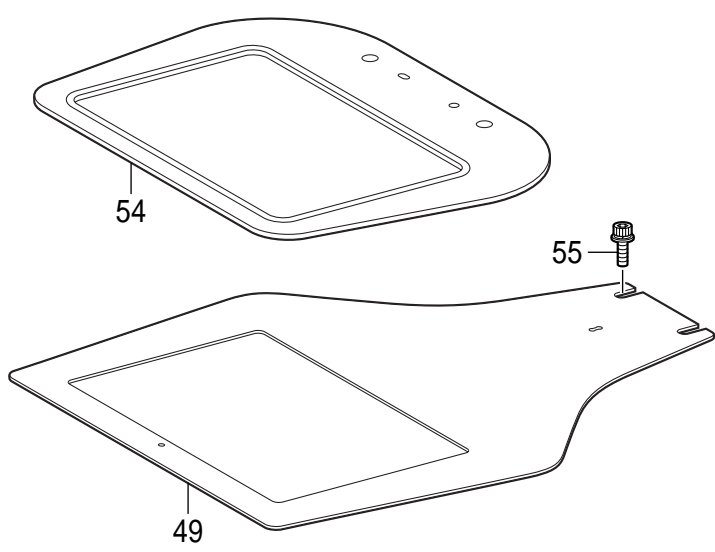
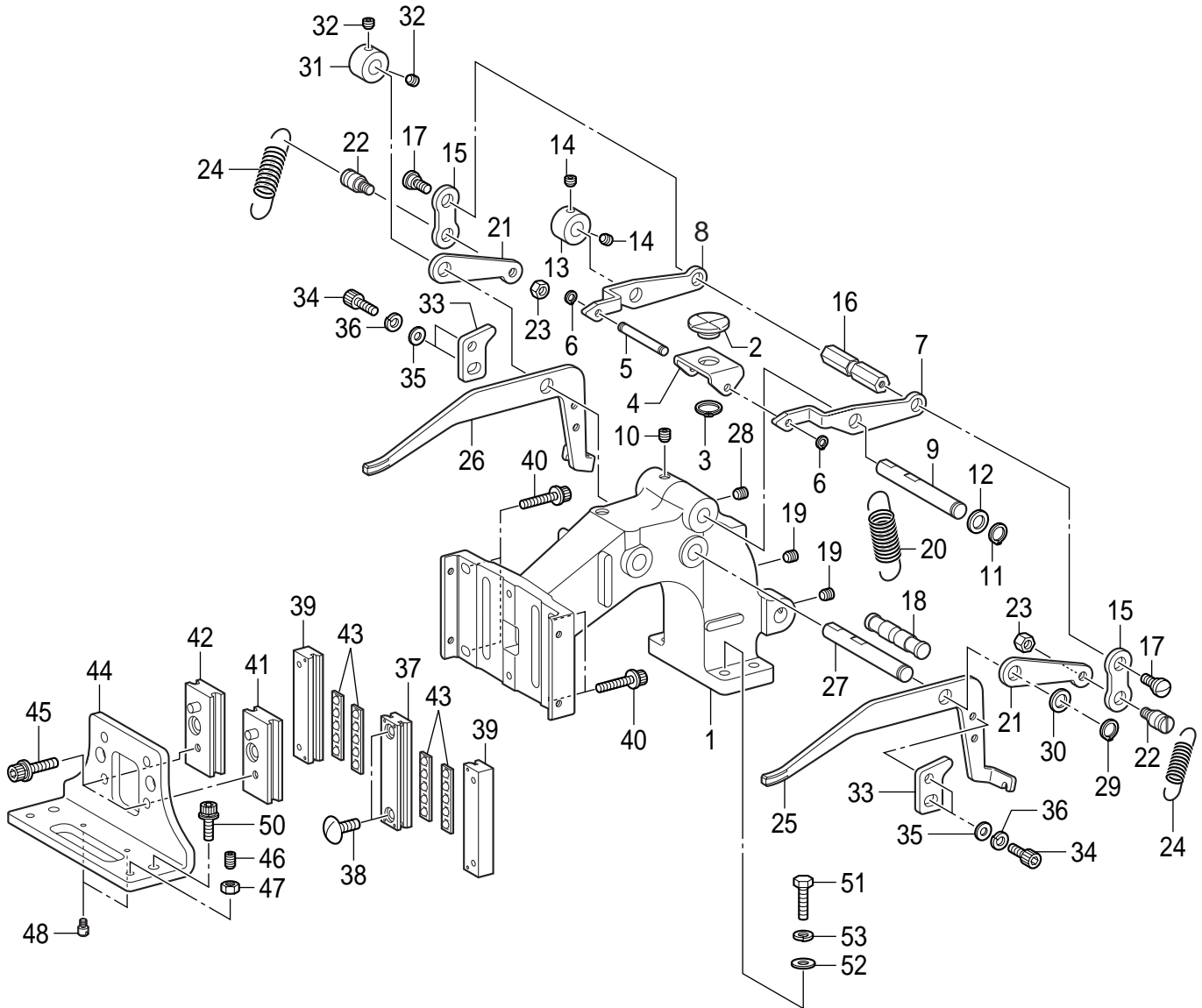


C2. 送り関係 / Feed mechanism

| REF.NO | CODE | Q'TY | 品名 | NAME OF PARTS | RM |
|--------|-----------|------|--------------|-----------------------|----|
| 62 | S23418001 | 2 | シメネジ4X5 | SCREW, M4X5 | |
| 63 | 118735001 | 4 | ザガネ | WASHER | |
| 64 | SA4224001 | 2 | マークチュウイ30X40 | MARK, ATTENTION 30X40 | |

C3 . 送り関係 / Feed mechanism

< 電磁式 / For Solenoid type >

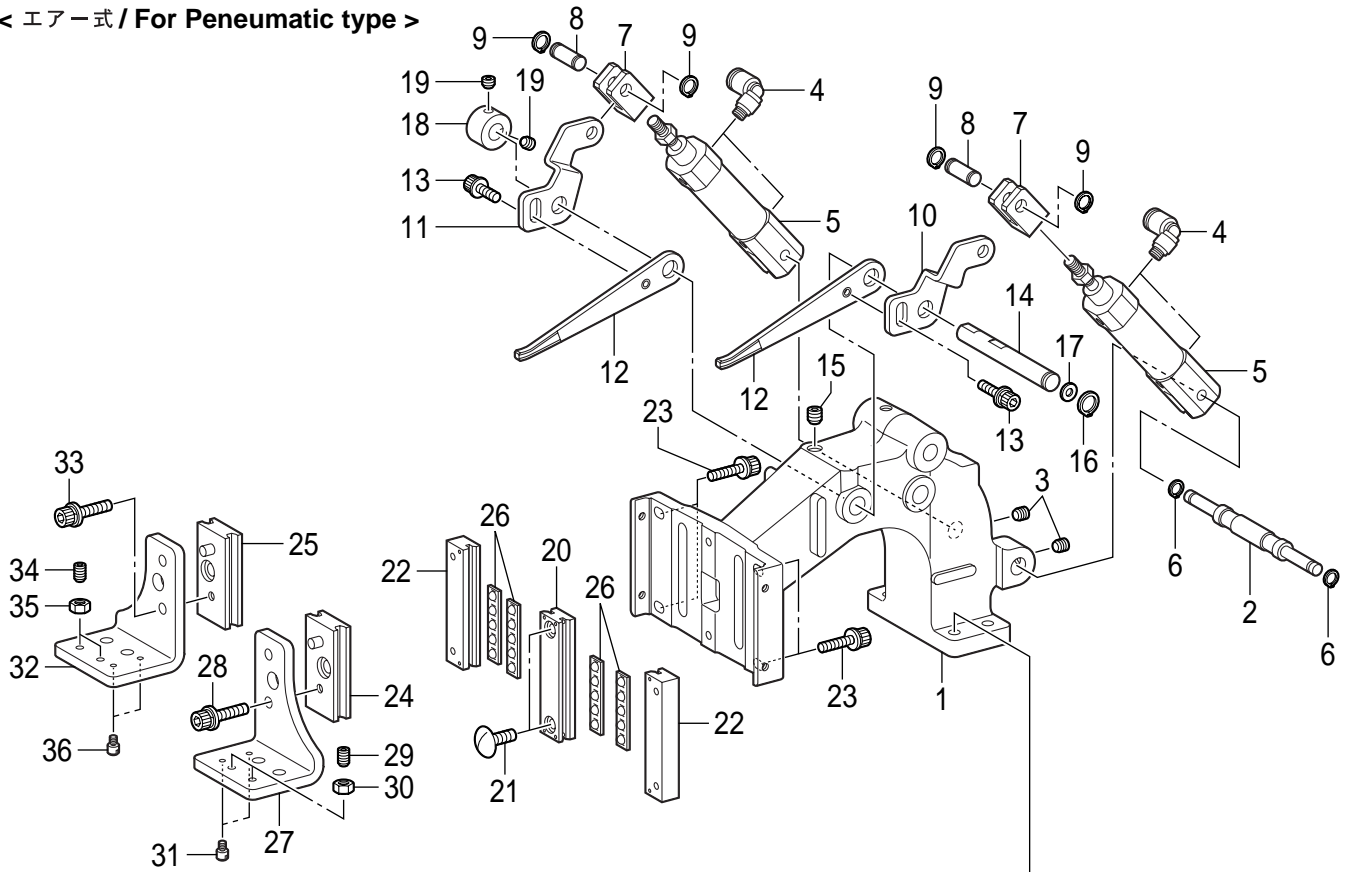


C3. 送り関係 / Feed mechanism

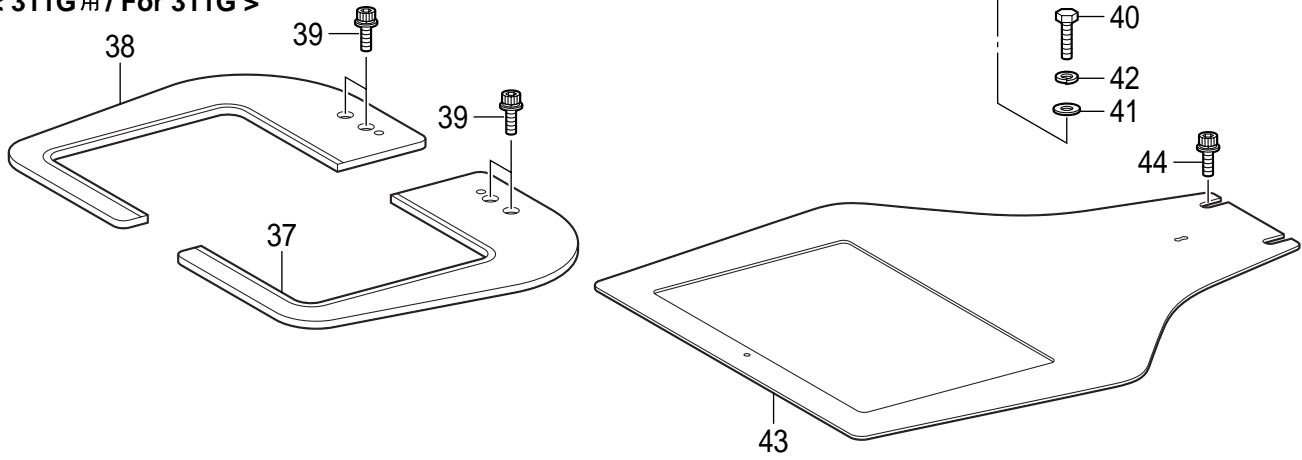
| REF.NO | CODE | Q'TY | 品名 | NAME OF PARTS | RM |
|--------|-----------|------|--------------|--------------------------------|----|
| | | | <電磁式> | <For Solenoid type> | |
| 1 | SA4686101 | 1 | オサエウデ | WORK CLAMP | |
| 2 | SA4687101 | 1 | スライダ- | SLIDER | |
| 3 | 048100142 | 1 | トメワジクヨウC10 | RETAINING RING EXTERNAL C10 | |
| 4 | SA4688001 | 1 | スライダ-ササエ | SUPPORT SLIDER | |
| 5 | SA4689001 | 1 | スライダ-ササエジク | SUPPORT SHAFT SLIDER | |
| 6 | 048040142 | 2 | トメワジクヨウC4 | RETAINING RING EXTERNAL C4 | |
| 7 | SA4690001 | 1 | オサエアゲレバ-R | WORK CLAMP LIFTER LEVER R | |
| 8 | SA4691001 | 1 | オサエアゲレバ-L | WORK CLAMP LIFTER LEVER L | |
| 9 | SA4692001 | 1 | オサエウデレバ-ジク | WORK CLAMP LIFTER SHAFT | |
| 10 | 012060636 | 1 | アナヒラ6X6 | SET SCREW SOCKET (FT) M6X6 | |
| 11 | 048080142 | 1 | トメワジクヨウC8 | RETAINING RING EXTERNAL C8 | |
| 12 | 110367001 | 1 | ザガネ | WASHER, PLAIN SPECIAL 8 | |
| 13 | SA3231001 | 1 | セツカラ-B | SET SCREW COLLAR,B | |
| 14 | 012060536 | 2 | アナヒラ6X5 | SET SCREW, SOCKET (FT) M6X5 | |
| 15 | SA4696001 | 2 | レンカン | CONNECTING ROD | |
| 16 | SA4693001 | 1 | バネカケジクA | SPRING HOLDER SHAFT A | |
| 17 | SA4697001 | 2 | ダンネジM5 | SHOULDER SCREW M5 | |
| 18 | SA4694001 | 1 | バネカケジクB | SPRING HOLDER SHAFT B | |
| 19 | 012060636 | 2 | アナヒラ6X6 | SET SCREW SOCKET (FT) M6X6 | |
| 20 | SA4695001 | 1 | モチアゲバネ | SPRING LIFT | |
| 21 | SA4698001 | 2 | レンケツリンク | CONNECTING LINK | |
| 22 | SA4700001 | 2 | オサエバネカケ | WORK CLAMP SPRING HOLDER | |
| 23 | 021500216 | 2 | 2シュナット5 | NUT 2 M5 | |
| 24 | SA4701001 | 2 | オサエバネ | WORK CLAMP SPRING | |
| 25 | SA4702001 | 1 | オサエウデレバ-R | WORK CLAMP LIFTER LEVER R | |
| 26 | SA4703001 | 1 | オサエウデレバ-L | WORK CLAMP LIFTER LEVER L | |
| 27 | SA4692001 | 1 | オサエウデレバ-ジク | WORK CLAMP LIFTER SHAFT | |
| 28 | 012060636 | 1 | アナヒラ6X6 | SET SCREW SOCKET (FT) M6X6 | |
| 29 | 048080142 | 1 | トメワジクヨウC8 | RETAINING RING EXTERNAL C8 | |
| 30 | 110367001 | 1 | ザガネ | WASHER, PLAIN SPECIAL 8 | |
| 31 | SA3231001 | 1 | セツカラ-B | SET SCREW COLLAR,B | |
| 32 | 012060536 | 2 | アナヒラ6X5 | SET SCREW, SOCKET (FT) M6X5 | |
| 33 | SA4699001 | 2 | ストッパー | STOPPER | |
| 34 | 018500836 | 4 | アナボルト5X8 | BOLT SOCKET M5X8 | |
| 35 | 025050236 | 4 | ヒラザガネチュウ5 | WASHER PLAIN M 5 | |
| 36 | 028050246 | 4 | バネザガネ2-5 | WASHER SPRING 2-5 | |
| 37 | SA4863001 | 1 | オサエアシアンナイAクミ | WORK CLAMP GUIDE A ASSY | |
| 38 | S23849001 | 2 | シメネジ4X16 | SCREW, M4X16 | |
| 39 | SA4864001 | 2 | オサエアシアンナイBクミ | WORK CLAMP GUIDE B ASSY | |
| 40 | S55482001 | 4 | アナボルトザクミ4X14 | BOLT, SOCKET (S/P WASHER)M4X14 | |
| 41 | SA4712001 | 1 | オサエアシスライダRクミ | WORK CLAMP SLIDER ASSY R | |
| 42 | SA4714001 | 1 | オサエアシスライダLクミ | WORK CLAMP SLIDER ASSY L | |
| 43 | SA4706001 | 4 | オサエアシリテーナクミ | WORK CLAMP RETAINER ASSY | |
| 44 | SA4708001 | 1 | オサエアシ | WORK CLAMP | |
| 45 | S55485001 | 2 | アナボルトザクミ5X12 | BOLT, SOCKET (S/P WASHER)M5X12 | |
| 46 | 012501031 | 2 | アナヒラ5X10 | SET SCREW SOCKET (FT) M5X10 | |
| 47 | 021500216 | 2 | 2シュナット5 | NUT 2 M5 | |
| 48 | SA4709001 | 2 | イチギメダンネジ | SHOULDER SCREW | |
| 49 | SA4866101 | 1 | オサエイタ311クミ | WORK CLAMP 311 ASSY | |
| 50 | S55484001 | 2 | アナボルトザクミ5X10 | BOLT, SOCKET (S/P WASHER)M5X10 | |
| 51 | 017501616 | 4 | ボルト5X16 | BOLT M5X16 | |
| 52 | 025050236 | 4 | ヒラザガネチュウ5 | WASHER PLAIN M 5 | |
| 53 | 028050246 | 4 | バネザガネ2-5 | WASHER SPRING 2-5 | |
| 54 | SA4715001 | 1 | 311Gオクリイタ | FEED PLATE 311G | |
| 55 | S55484002 | 2 | アナボルトザクミ5X10 | BOLT, SOCKET (S/P WASHER)M5X10 | |

C4 . 送り関係 / Feed mechanism

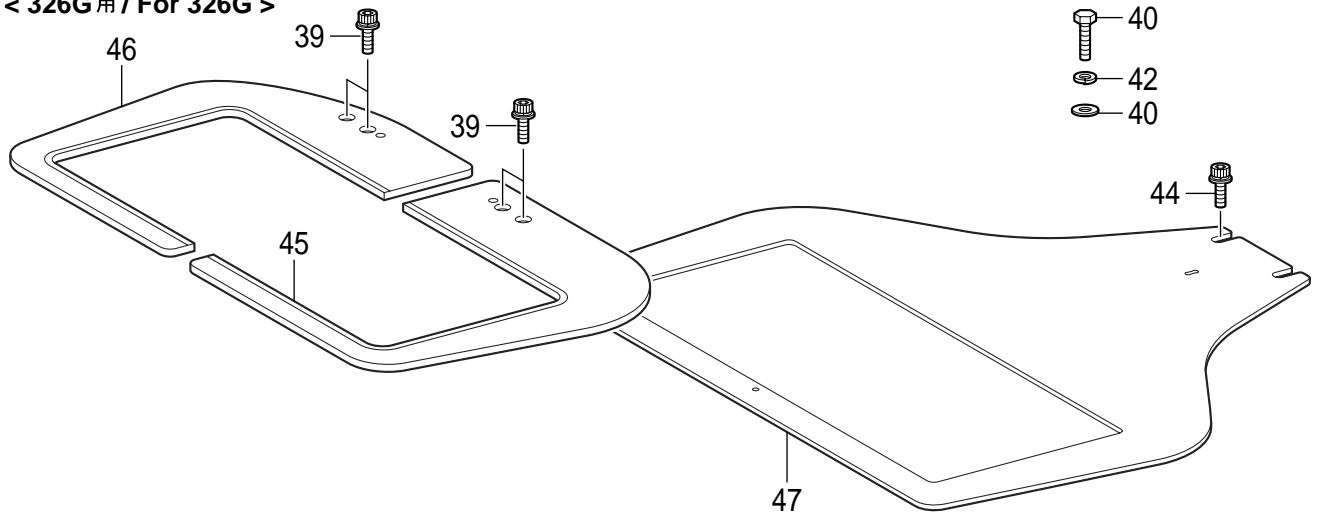
< エア式 / For Pneumatic type >



< 311G用 / For 311G >



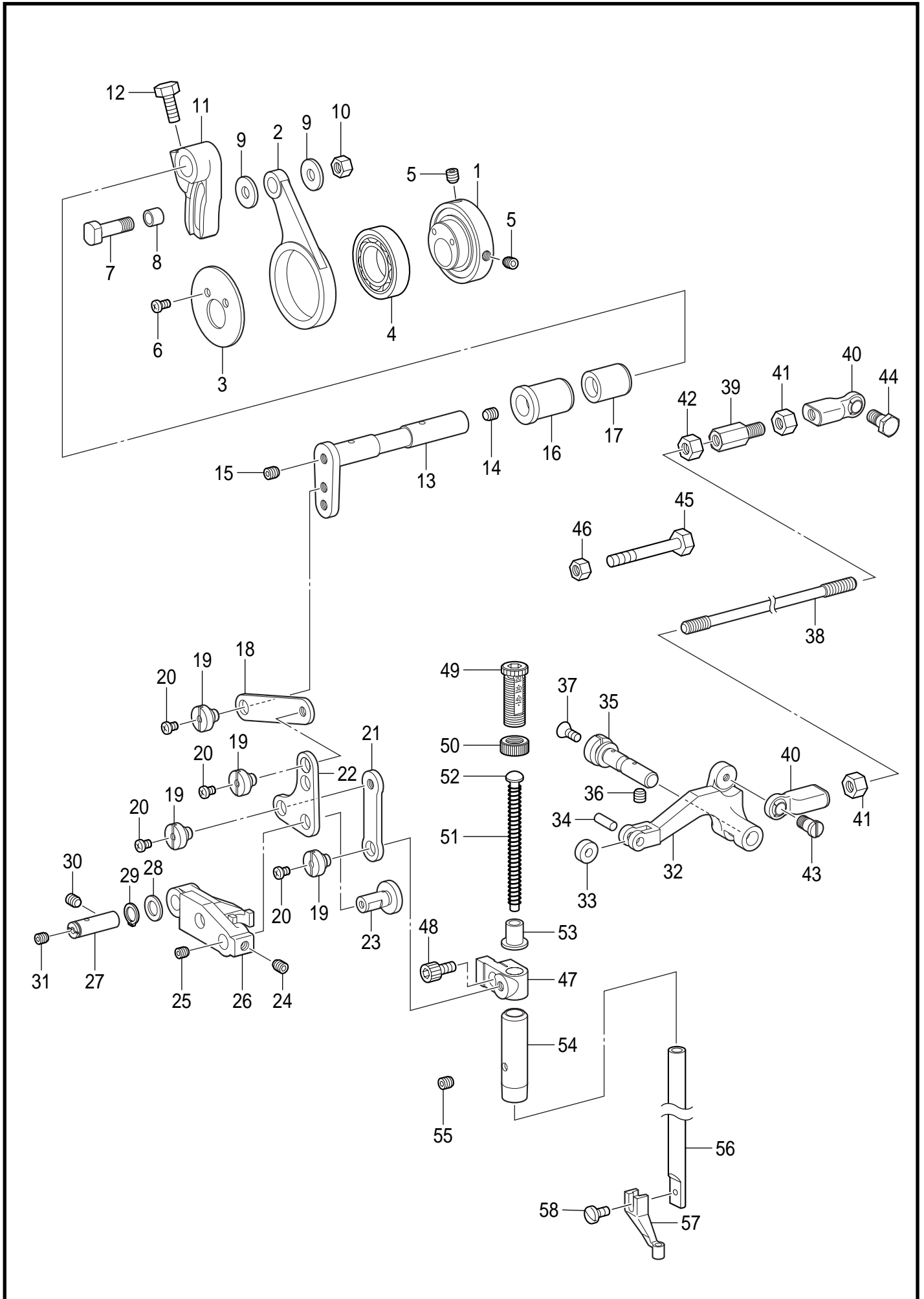
< 326G用 / For 326G >



C4. 送り関係 / Feed mechanism

| REF.NO | CODE | Q'TY | 品名 | NAME OF PARTS | RM |
|--------|-----------|------|----------------------|-----------------------------------|----|
| | | | <エア-式> | <For Pneumatic type> | |
| 1 | SA4686101 | 1 | オサエウデ | WORK CLAMP | |
| 2 | SA4717001 | 1 | シリンダ-ジク | CYLINDER SHAFT | |
| 3 | 012060636 | 2 | アナヒラ6X6 | SET SCREW SOCKET (FT) M6X6 | |
| 4 | S53488000 | 4 | ツギテ | JOINT | |
| 5 | SA4719001 | 2 | エアシリンダRクミ | AIR CYLINDER ASSY | |
| 6 | 048050142 | 2 | トメワジクヨウC5 | RETAINING RING EXTERNAL C5 | |
| 7 | SA4720001 | 2 | シリンダ-ツギテ | CYLINDER JOINT | |
| 8 | SA4721001 | 2 | シリンダ-ツギテジク | CYLINDER JOINT SHAFT | |
| 9 | 048060142 | 4 | トメワジクヨウC6 | RETAINING RING EXTERNAL C6 | |
| 10 | SA4722001 | 1 | オサエアゲレバ-Rエア | WORK CLAMP LIFTER LEVER R AIR | |
| 11 | SA4723001 | 1 | オサエアゲレバ-Lエア | WORK CLAMP LIFTER LEVER L AIR | |
| 12 | SA4724001 | 2 | オサエウデレバ-エア | WORK CLAMP LIFTER SHAFT AIR | |
| 13 | S55479001 | 2 | アナボルトザクミ4X8 | BOLT, SOCKET (S/P WASHER) M4X8 | |
| 14 | SA4692001 | 1 | オサエウデレバ-ジク | WORK CLAMP LIFTER SHAFT | |
| 15 | 012060636 | 1 | アナヒラ6X6 | SET SCREW SOCKET (FT) M6X6 | |
| 16 | 048080142 | 1 | トメワジクヨウC8 | RETAINING RING EXTERNAL C8 | |
| 17 | 110367001 | 1 | ザガネ | WASHER, PLAIN SPECIAL 8 | |
| 18 | SA3231001 | 1 | セットカラ-B | SET SCREW COLLAR,B | |
| 19 | 012060536 | 2 | アナヒラ6X5 | SET SCREW, SOCKET (FT) M6X5 | |
| 20 | SA4863001 | 1 | オサエアシアンナイAクミ | WORK CLAMP GUIDE A ASSY | |
| 21 | S23849001 | 2 | シメネジ4X16 | SCREW, M4X16 | |
| 22 | SA4864001 | 2 | オサエアシアンナイBクミ | WORK CLAMP GUIDE B ASSY | |
| 23 | S55482001 | 4 | アナボルトザクミ4X14 | BOLT, SOCKET (S/P WASHER)M4X14 | |
| 24 | SA4712001 | 1 | オサエアシスライダRクミ | WORK CLAMP SLIDER ASSY R | |
| 25 | SA4714001 | 1 | オサエアシスライダLクミ | WORK CLAMP SLIDER ASSY L | |
| 26 | SA4706001 | 4 | オサエアシリテ-ナクミ | WORK CLAMP RETAINER ASSY | |
| 27 | SA4725001 | 1 | オサエアシR | WORK CLAMP R | |
| 28 | S55485001 | 1 | アナボルトザクミ5X12 | BOLT, SOCKET (S/P WASHER)M5X12 | |
| 29 | 012501031 | 2 | アナヒラ5X10 | SET SCREW SOCKET (FT) M5X10 | |
| 30 | 021500216 | 2 | 2シュナット5 | NUT 2 M5 | |
| 31 | SA4709001 | 2 | イチギメダンネジ | SHOULDER SCREW | |
| 32 | SA4726001 | 1 | オサエアシL | WORK CLAMP L | |
| 33 | S55485001 | 1 | アナボルトザクミ5X12 | BOLT, SOCKET (S/P WASHER)M5X12 | |
| 34 | 012501031 | 2 | アナヒラ5X10 | SET SCREW SOCKET (FT) M5X10 | |
| 35 | 021500216 | 2 | 2シュナット5 | NUT 2 M5 | |
| 36 | SA4709001 | 2 | イチギメダンネジ | SHOULDER SCREW | |
| | | | <311G用> | <For 311G> | |
| 37 | SA4868101 | 1 | オサエイタ311Rクミ | WORK CLAMP 311R ASSY | |
| 38 | SA4869101 | 1 | オサエイタ311Lクミ | WORK CLAMP 311L ASSY | |
| 39 | S55484002 | 4 | アナボルトザクミ5X10 | BOLT, SOCKET (S/P WASHER)M5X10 | |
| 40 | 017501616 | 4 | ボルト5X16 | BOLT M5X16 | |
| 41 | 025050236 | 4 | ヒラザガネチュウ5 | WASHER PLAIN M 5 | |
| 42 | 028050246 | 4 | バネザガネ2-5 | WASHER SPRING 2-5 | |
| 43 | SA4715001 | 1 | 311Gオクリイタ | FEED PLATE 311G | |
| 44 | S55484002 | 2 | アナボルトザクミ5X10 | BOLT, SOCKET (S/P WASHER)M5X10 | |
| | | | <326G用> | <For 326G> | |
| 45 | SA4870101 | 1 | オサエイタ326Rクミ | WORK CLAMP 326R ASSY | |
| 46 | SA4871101 | 1 | オサエイタ326Lクミ | WORK CLAMP 326L ASSY | |
| 39 | S55484002 | 4 | アナボルトザクミ5X10 | BOLT, SOCKET (S/P WASHER)M5X10 | |
| 40 | 017501616 | 4 | ボルト5X16 | BOLT M5X16 | |
| 41 | 025050236 | 4 | ヒラザガネチュウ5 | WASHER PLAIN M 5 | |
| 42 | 028050246 | 4 | バネザガネ2-5 | WASHER SPRING 2-5 | |
| 44 | S55484002 | 2 | アナボルトザクミ5X10 | BOLT, SOCKET (S/P WASHER)M5X10 | |
| 47 | SA4852001 | 1 | 326Gオクリイタ | FEED PLATE 326G | |

D1 . 押え上げ関係 / Work clamp lifter mechanism

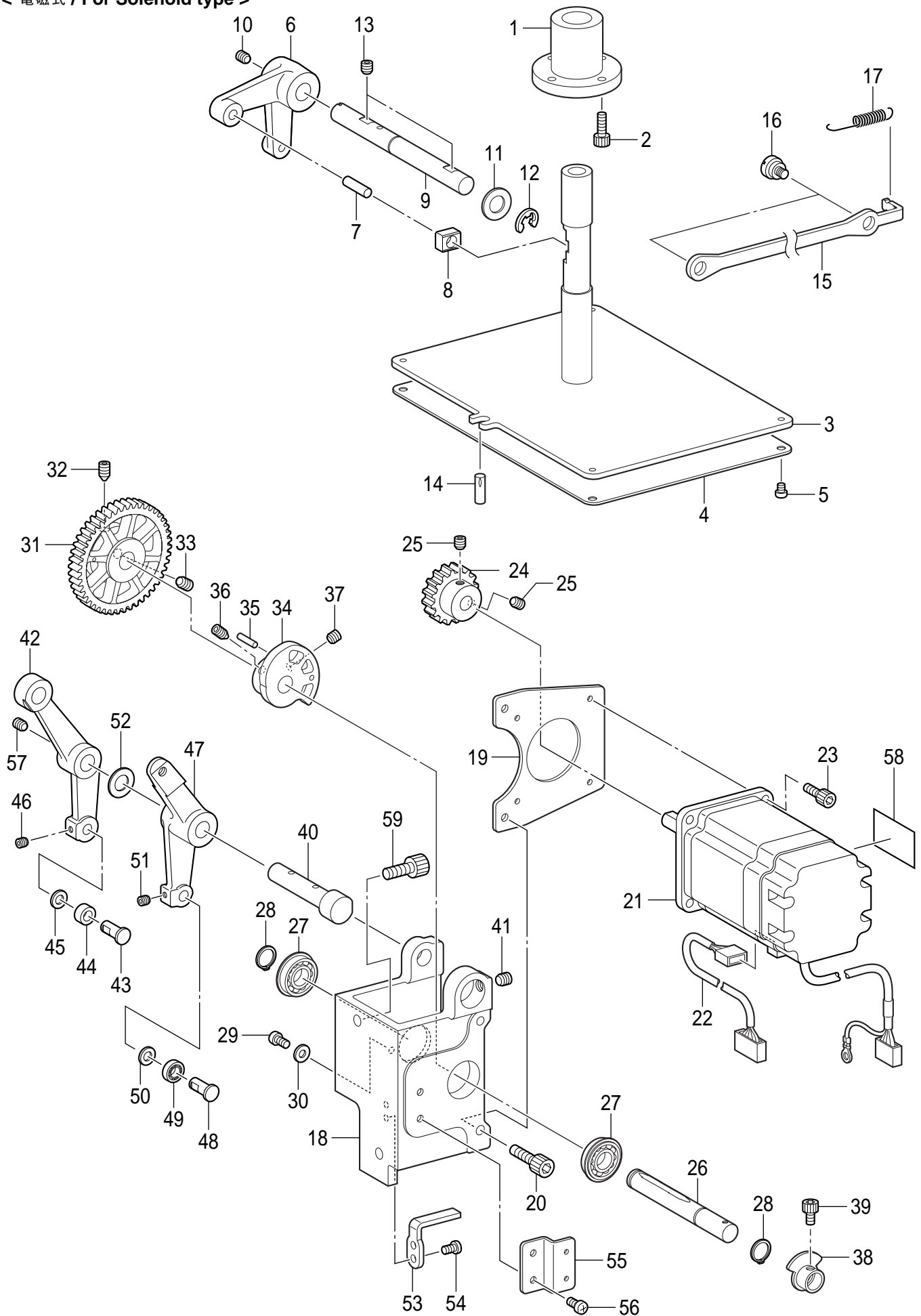


D1. 押え上げ関係 / Work clamp lifter mechanism

| REF.NO | CODE | Q'TY | 品名 | NAME OF PARTS | RM |
|--------|-----------|------|---------------|--------------------------------|----|
| 1 | SA4759001 | 1 | カンケツオサエカム | STEPPING CLAMP CAM | |
| 2 | SA4760001 | 1 | カンケツオサエレンカン | STEPPING CLAMP CON.ROD | |
| 3 | SA4763001 | 1 | カンケツオサエカムザガネ | WASHER STEPPING CLAMP CAM | |
| 4 | 623033000 | 1 | タマジクウケ6805VV | BALL BEARING, 6805VV | |
| 5 | S23651001 | 2 | アナヒラ6X6ホソメ | SET SCREW, SOCKET (FT) M6X6 | |
| 6 | 062400616 | 2 | ナベコ4X6 | SCREW PAN M4X6 | |
| 7 | SA4761001 | 1 | カンケツオサエウデコロジク | ROLLER SHAFT STEPPING CLAMP | |
| 8 | SA4762001 | 1 | カンケツオサエウデコロ | ROLLER STEPING CLAMP | |
| 9 | SA4302001 | 2 | ザガネ | WASHER | |
| 10 | 021060106 | 1 | 1シュナット6 | NUT 1 M6 | |
| 11 | SA4764001 | 1 | カンケツオサエウデR | STEPPING CLAMP ARM R | |
| 12 | 017061216 | 1 | ボルト6X12 | BOLT M6X12 | |
| 13 | SA4765001 | 1 | カンケツオサエウデF | STEPPING CLAMP ARM F | |
| 14 | 012060636 | 1 | アナヒラ6X6 | SET SCREW SOCKET (FT) M6X6 | |
| 15 | S23651001 | 1 | アナヒラ6X6ホソメ | SET SCREW, SOCKET (FT) M6X6 | |
| 16 | SA4766001 | 1 | カンケツオサエウデメタルF | BUSH STEPPING CLAMP F | |
| 17 | SA4767001 | 1 | カンケツオサエウデメタルR | BUSH STEPPING CLAMP R | |
| 18 | SA4768001 | 1 | カンケツレンカンA | BUSH STEPPING CLAMP R | |
| 19 | SA4769001 | 4 | ダンネジ6 | SHOULDER SCREW 6 | |
| 20 | 062400416 | 4 | ナベコ4X4 | SCREW, PAN M4X4 | |
| 21 | SA4770001 | 1 | カンケツレンカンB | STEPPING CLAMP LINK B | |
| 22 | SA4772001 | 1 | カンケツリンク | STEPPING CLAMP LINK | |
| 23 | SA4773001 | 1 | カンケツリンクジク | SHAFT STEPPING CLAMP LINK | |
| 24 | 012060636 | 1 | アナヒラ6X6 | SET SCREW SOCKET (FT) M6X6 | |
| 25 | 012400436 | 1 | アナヒラ4X4 | SET SCREW SOCKET (FT) M4X4 | |
| 26 | SA4777001 | 1 | カンケツアゲリンク | STEPPING CLAMP LIFTER LINK | |
| 27 | SA4771001 | 1 | カンケツアゲリンクジク | SHAFT STEPPING CLAMP LIFT LINK | |
| 28 | SA2161001 | 1 | ザガネ | WASHER | |
| 29 | 048080142 | 1 | トメワジクヨウC8 | RETAINING RING EXTERNAL C8 | |
| 30 | 012060636 | 1 | アナヒラ6X6 | SET SCREW SOCKET (FT) M6X6 | |
| 31 | 012400436 | 1 | アナヒラ4X4 | SET SCREW SOCKET (FT) M4X4 | |
| 32 | SA4779001 | 1 | カンケツアゲレバー | STEPPING CLAMP LIFTER | |
| 33 | SA4781001 | 1 | カンケツアゲレバーコロ | ROLLER STEPPING CLAMP LIFTER | |
| 34 | 141362001 | 1 | エントウコロ | ROLLER | |
| 35 | SA4780001 | 1 | カンケツアゲレバージク | SHAFT STEPPING CLAMP LIFTER | |
| 36 | 012060636 | 1 | アナヒラ6X6 | SET SCREW SOCKET (FT) M6X6 | |
| 37 | S25310101 | 1 | サラネジ4 | SCREW, FLAT M4 | |
| 38 | SA4775001 | 1 | カンケツアゲロッド | STEPPING CLAMP LIFTER ROD | |
| 39 | SA4853001 | 1 | カンケツアゲロッドツギテ | JOINT STEPPING CLAMP LIFTER | |
| 40 | SA2663001 | 2 | タマツギテクミ | BALL JOINT ASSY | |
| 41 | 021060306 | 2 | 3シュナット6 | NUT 3 M6 | |
| 42 | SA3227001 | 1 | ナット6ホソメ | NUT(FT),M6 | |
| 43 | SA4776001 | 1 | タマツギテダンネジ | SHOULDER SCREW | |
| 44 | S32462001 | 1 | タマツギテダンネジB | SHOULDER SCREW, B ;M6 | |
| 45 | 017066002 | 1 | ボルト6X60 | BOLT M6X60 | |
| 46 | 021060106 | 1 | 1シュナット6 | NUT 1 M6 | |
| 47 | SA4778001 | 1 | オサエボウダキ | PRESSER BAR CLAMP | |
| 48 | 018400836 | 1 | アナボルト4X8 | BOLT SOCKET M4X8 | |
| 49 | SA1174001 | 1 | オサエチヨウセツネジM14 | PRESSER ADJUSTING SCREW, M14 | |
| 50 | SA1175001 | 1 | チヨウセツネジナットM14 | ADJUST SCREW NUT | |
| 51 | SA5300001 | 1 | オサエバネ | PRESSER BAR SPRING | |
| 52 | S10112001 | 1 | オサエバネアンナイ | PRESSER BAR SPRING GUIDE | |
| 53 | SA5301001 | 1 | オサエバネカラ | COLLAR PRESSER BAR SPRING | |
| 54 | SA2195001 | 1 | オサエボウメタル | PRESSER BAR BUSH | |
| 55 | 012060536 | 1 | アナヒラ6X5 | SET SCREW SOCKET (FT) M6X5 | |
| 56 | 111466101 | 1 | オサエボウ | PRESSER BAR | |
| 57 | * | 1 | オサエアシ | WORK CLAMP | |
| 58 | S13399001 | 1 | シメネジ3.57X12 | SCREW, SM3.57X12 | |

D2 . 押え上げ関係 / Work clamp lifter mechanism

< 電磁式 / For Solenoid type >

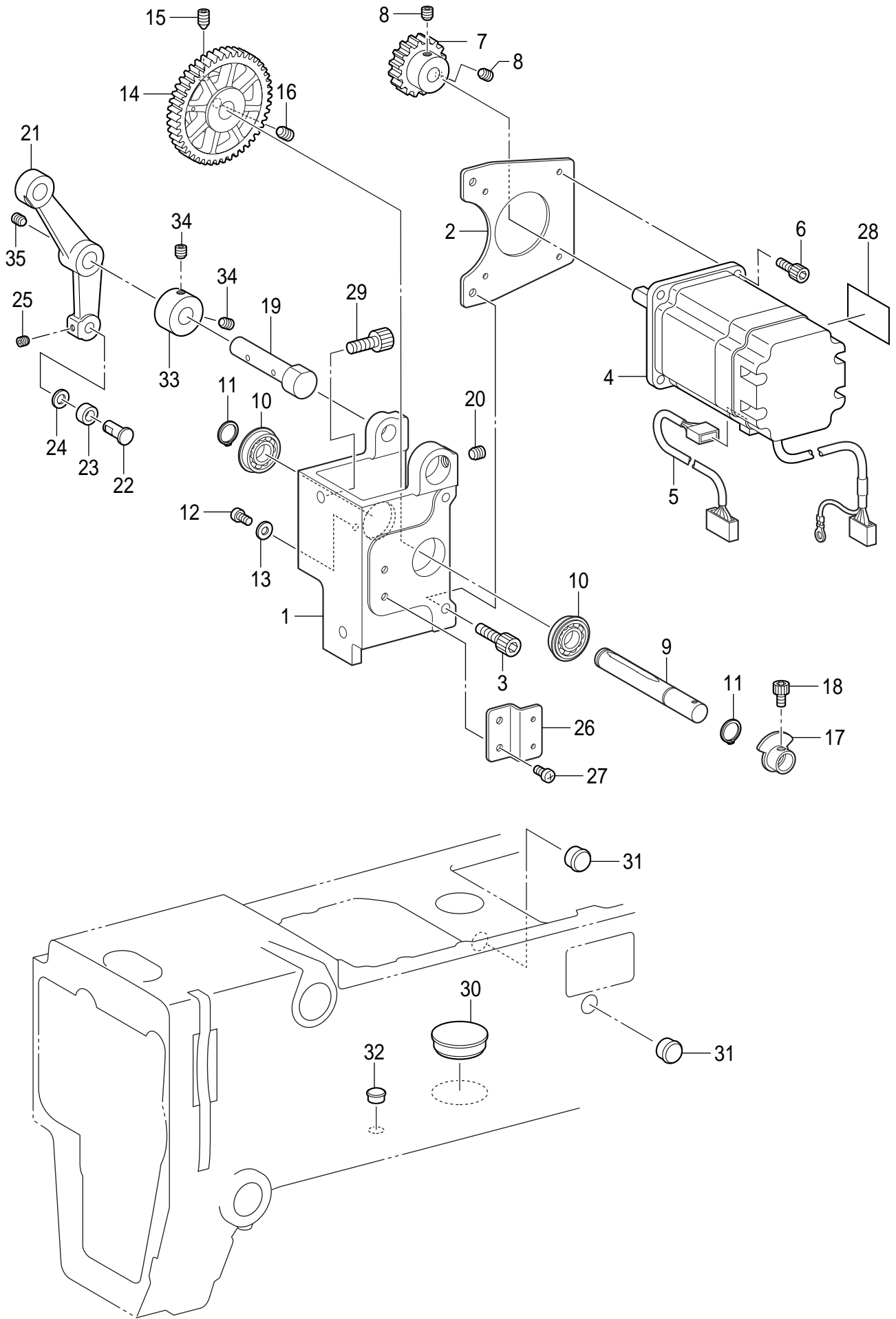


D2. 押え上げ関係 / Work clamp lifter mechanism

| REF.NO | CODE | Q'TY | 品名 | NAME OF PARTS | RM |
|--------|-----------|------|----------------|--------------------------------|----|
| | | | <電磁式> | <For Solenoid type> | |
| 1 | SA4729001 | 1 | スライドブッシュ | SLIDE BUSH | |
| 2 | 018401036 | 4 | アナボルト4X10 | BOLT SOCKET M4X10 | |
| 3 | SA4731001 | 1 | オサエアゲイタクミ | WORK CLAMP LIFTER PLATE ASSY | |
| 4 | SA4734001 | 1 | シートE | SEAT E | |
| 5 | 062400416 | 4 | ナベコ4X4 | SCREW, PAN M4X4 | |
| 6 | SA4736001 | 1 | オサエアゲレバー | WORK CLAMP LIFTER LEVER | |
| 7 | 152744001 | 1 | ヨコオクリカクコマピン | PIN | |
| 8 | 102630001 | 1 | ハリボウアンナイカクコマ | NEEDLE BAR GUIDE SLIDE BLOCK | |
| 9 | SA4737001 | 1 | オサエアゲレバー-ジクB | WORK CLAMP LEVER SHAFT B | |
| 10 | 012060636 | 1 | アナヒラ6X6 | SET SCREW SOCKET (FT) M6X6 | |
| 11 | S20356001 | 1 | ヒラザガネ10 | WASHER, PLAIN 10 | |
| 12 | 048080342 | 1 | トメワE8 | RETAINING RING E8 | |
| 13 | 012060636 | 2 | アナヒラ6X6 | SET SCREW SOCKET (FT) M6X6 | |
| 14 | 118208001 | 1 | ミゾツキピン | DOWEL PIN | |
| 15 | SA4738001 | 1 | オサエアゲリンク | WORK CLAMP LIFTER LINK | |
| 16 | SA3438001 | 2 | オサエアゲリンクダンネジ | LINK SHOULDER SCREW | |
| 17 | SA4739001 | 1 | オサエアゲバネ | WORK CLAMP SPRING | |
| 18 | SA4741101 | 1 | モーターブラケット | MOTOR BRACKET | |
| 19 | SA4742001 | 1 | オサエアゲモーターイタ | WORK CLAMP MOTOR PLATE | |
| 20 | 018501036 | 2 | アナボルト5X10 | BOLT SOCKET M5X10 | |
| 21 | SA4826101 | 1 | パルスモータPクミ | PULSE MOTOR ASSY P | |
| 22 | SA4828001 | 1 | モーターハネスP | MOTOR HARNESS P | |
| 23 | 018401036 | 4 | アナボルト4X10 | BOLT SOCKET M4X10 | |
| 24 | SA4743001 | 1 | オサエアゲドウギヤ | WORK CLAMP DRIVING GEAR | |
| 25 | 012060636 | 2 | アナヒラ6X6 | SET SCREW SOCKET (FT) M6X6 | |
| 26 | SA4744001 | 1 | オサエアゲシテンジク | WORK CLAMP FULCRUM SHAFT | |
| 27 | SA4647001 | 2 | タマジクウケ6900ZZNR | BALL BEARING 6900ZZNR | |
| 28 | 048100142 | 2 | トメワジクヨウC10 | RETAINING RING EXTERNAL C10 | |
| 29 | 062400616 | 1 | ナベコ4X6 | SCREW PAN M4X6 | |
| 30 | 025040236 | 1 | ヒラザガネチュウ4 | WASHER PLAIN M 4 | |
| 31 | SA4745001 | 1 | オサエアゲカムギヤ | WORK CLAMP CAM GEAR | |
| 32 | 016061031 | 1 | アナトガリ6X10 | SET SCREW SOCKET (CN) M6X10 | |
| 33 | 012060636 | 1 | アナヒラ6X6 | SET SCREW SOCKET (FT) M6X6 | |
| 34 | SA4746001 | 1 | オサエアゲカム | WORK CLAMP CAM | |
| 35 | S35079000 | 1 | ニードルローラ3X11.8 | NEEDLE ROLLER, 3X11.8 | |
| 36 | 016061031 | 1 | アナトガリ6X10 | SET SCREW SOCKET (CN) M6X10 | |
| 37 | 012060636 | 1 | アナヒラ6X6 | SET SCREW SOCKET (FT) M6X6 | |
| 38 | SA4747001 | 1 | オサエゲンテンドグ | WORK CLAMP H-POSITION DOG | |
| 39 | 018400636 | 1 | アナボルト4X6 | BOLT SOCKET M4X6 | |
| 40 | SA4748001 | 1 | オサエアゲレバー-ジク | WORK CLAMP LEVER SHAFT | |
| 41 | 012060636 | 1 | アナヒラ6X6 | SET SCREW SOCKET (FT) M6X6 | |
| 42 | SA4749101 | 1 | カンケツクドウレバー | STEPPING W-CLAMP DRIVING LEVER | |
| 43 | SA3441001 | 1 | オサエアゲコロジク | W-CLAMP LIFTER ROLLER SHAFT | |
| 44 | 070696800 | 1 | Rタマジクウケ696ZZ | BALL BEARING RADIAL 696ZZ | |
| 45 | 109763003 | 1 | ザガネ | WASHER | |
| 46 | 012500536 | 1 | アナヒラ5X5 | SET SCREW SOCKET (FT) M5X5 | |
| 47 | SA4750001 | 1 | オサエアゲドウレバー | WORK CLAMP DRIVING SHAFT | |
| 48 | SA3441001 | 1 | オサエアゲコロジク | W-CLAMP LIFTER ROLLER SHAFT | |
| 49 | 070696800 | 1 | Rタマジクウケ696ZZ | BALL BEARING RADIAL 696ZZ | |
| 50 | 109763003 | 1 | ザガネ | WASHER | |
| 51 | 012500536 | 1 | アナヒラ5X5 | SET SCREW SOCKET (FT) M5X5 | |
| 52 | S20356001 | 1 | ヒラザガネ10 | WASHER, PLAIN 10 | |
| 53 | SA4752001 | 1 | オサエアゲカムストッパ | WORK CLAMP CAM STOPPER | |
| 54 | 062400616 | 2 | ナベコ4X6 | SCREW PAN M4X6 | |
| 55 | SA4753001 | 1 | オサエアゲセンサーイタ | WORK CLAMP SENSOR PLATE | |
| 56 | 062400616 | 2 | ナベコ4X6 | SCREW PAN M4X6 | |
| 57 | 012060636 | 1 | アナヒラ6X6 | SET SCREW SOCKET (FT) M6X6 | |
| 58 | SA4224001 | 1 | マークチュウイ30X40 | MARK,ATTENTION 30X40 | |
| 59 | 018061236 | 2 | アナボルト6X12 | BOLT SOCKET M6X12 | |

D3 . 押え上げ関係 / Work clamp lifter mechanism

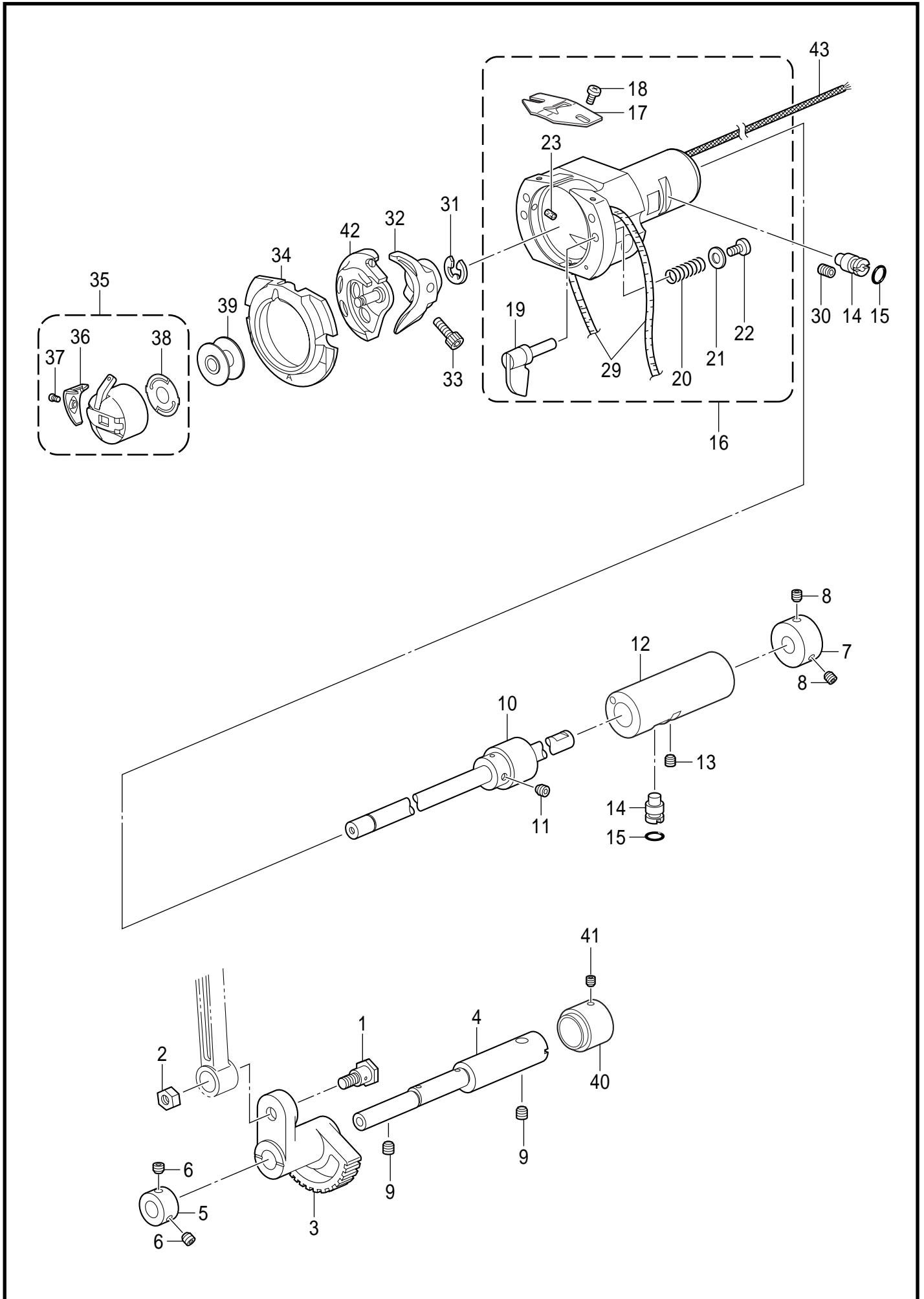
< エア-式 / For Pneumatic type >



D3. 押え上げ関係 / Work clamp lifter mechanism

| REF.NO | CODE | Q'TY | 品名 | NAME OF PARTS | RM |
|--------|-----------|------|----------------|--------------------------------|----|
| | | | <エア-式> | <For Pneumatic type> | |
| 1 | SA4741101 | 1 | モ-タ-ブラケット | MOTOR BRACKET | |
| 2 | SA4742001 | 1 | オサエアゲモ-タ-イタ | WORK CLAMP MOTOR PLATE | |
| 3 | 018501036 | 2 | アナボルト5X10 | BOLT SOCKET M5X10 | |
| 4 | SA4826101 | 1 | パルスモ-タPクミ | PULSE MOTOR ASSY P | |
| 5 | SA4828001 | 1 | モ-タハーネスP | MOTOR HARNESS P | |
| 6 | 018401036 | 4 | アナボルト4X10 | BOLT SOCKET M4X10 | |
| 7 | SA4743001 | 1 | オサエアゲクドウギヤ | WORK CLAMP DRIVING GEAR | |
| 8 | 012060636 | 2 | アナヒラ6X6 | SET SCREW SOCKET (FT) M6X6 | |
| 9 | SA4744001 | 1 | オサエアゲシテンジク | WORK CLAMP FULCRUM SHAFT | |
| 10 | SA4647001 | 2 | タマジクウケ6900ZZNR | BALL BEARING 6900ZZNR | |
| 11 | 048100142 | 2 | トメワジクヨウC10 | RETAINING RING EXTERNAL C10 | |
| 12 | 062400616 | 1 | ナベコ4X6 | SCREW PAN M4X6 | |
| 13 | 025040236 | 1 | ヒラザガネチュウ4 | WASHER PLAIN M 4 | |
| 14 | SA4745001 | 1 | オサエアゲカムギヤ | WORK CLAMP CAM GEAR | |
| 15 | 016061031 | 1 | アナトガリ6X10 | SET SCREW SOCKET (CN) M6X10 | |
| 16 | 012060636 | 1 | アナヒラ6X6 | SET SCREW SOCKET (FT) M6X6 | |
| 17 | SA4747001 | 1 | オサエゲンテンドグ | WORK CLAMP H-POSITION DOG | |
| 18 | 018400636 | 1 | アナボルト4X6 | BOLT SOCKET M4X6 | |
| 19 | SA4748001 | 1 | オサエアゲレバ-ジク | WORK CLAMP LEVER SHAFT | |
| 20 | 012060636 | 1 | アナヒラ6X6 | SET SCREW SOCKET (FT) M6X6 | |
| 21 | SA4749101 | 1 | カンケツクドウレバ- | STEPPING W-CLAMP DRIVING LEVER | |
| 22 | SA3441001 | 1 | オサエアゲコロジク | W-CLAMP LIFTER ROLLER SHAFT | |
| 23 | 070696800 | 1 | Rタマジクウケ696ZZ | BALL BEARING RADIAL 696ZZ | |
| 24 | 109763003 | 1 | ザガネ | WASHER | |
| 25 | 012500536 | 1 | アナヒラ5X5 | SET SCREW SOCKET (FT) M5X5 | |
| 26 | SA4753001 | 1 | オサエアゲセンサーイタ | WORK CLAMP SENSOR PLATE | |
| 27 | 062400616 | 2 | ナベコ4X6 | SCREW PAN M4X6 | |
| 28 | SA4224001 | 1 | マ-クチュウイ30X40 | MARK,ATTENTION 30X40 | |
| 29 | 018061236 | 2 | アナボルト6X12 | BOLT SOCKET M6X12 | |
| 30 | 159163000 | 1 | ゴムセン29 | RUBBER CAP 29 | |
| 31 | 104821001 | 2 | ゴムセン10.5 | RUBBER CAP, 10.5 | |
| 32 | S41848000 | 1 | ゴムセン6.6 | RUBBER CAP, 6.6 | |
| 33 | SA4757001 | 1 | セットカラー | SET SCREW COLLAR | |
| 34 | 012060636 | 2 | アナヒラ6X6 | SET SCREW SOCKET (FT) M6X6 | |
| 35 | 012060636 | 1 | アナヒラ6X6 | SET SCREW SOCKET (FT) M6X6 | |

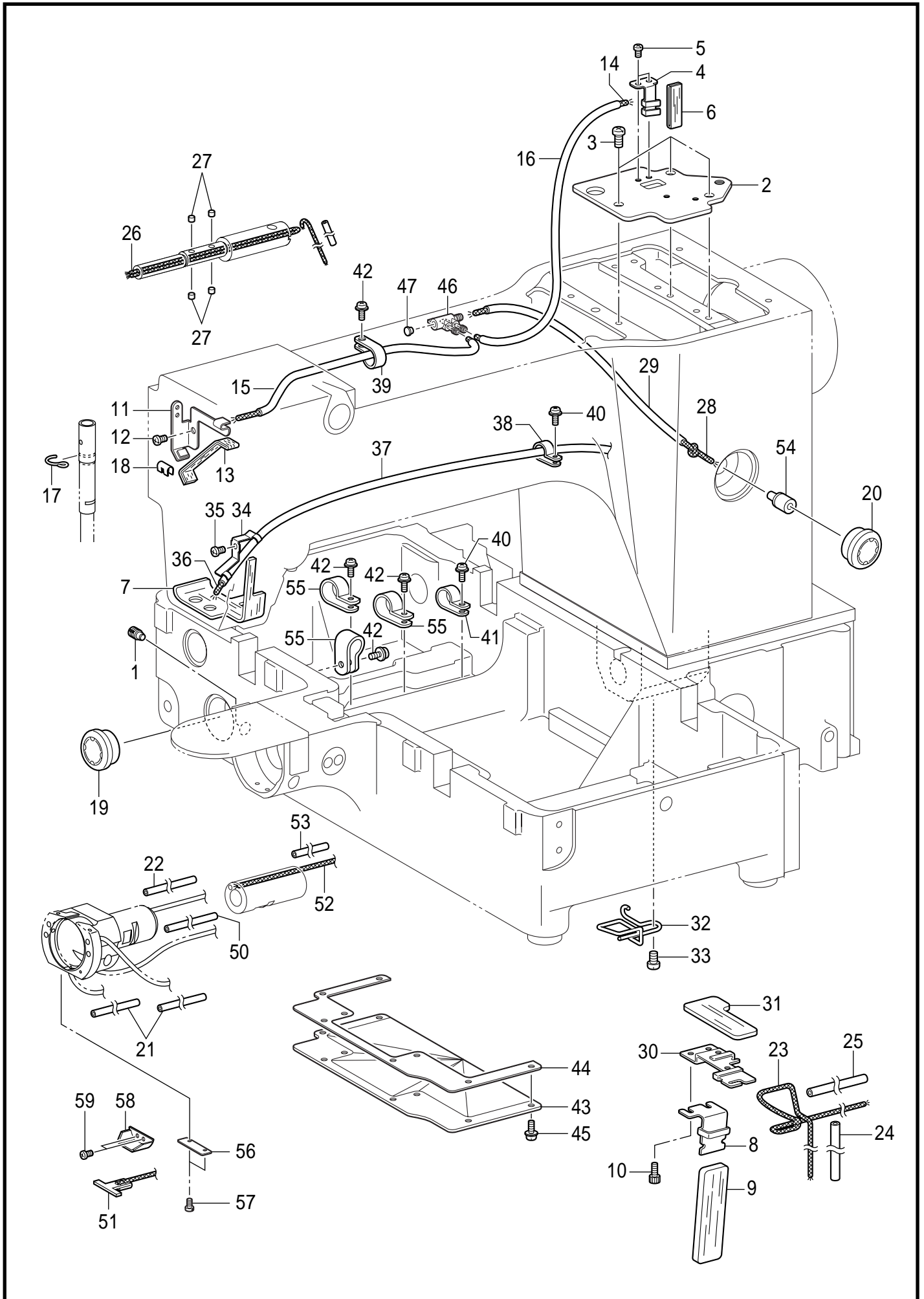
E . 下軸関係 / Lower shaft mechanism



E. 下軸関係 / Lower shaft mechanism

| REF.NO | CODE | Q'TY | 品名 | NAME OF PARTS | RM |
|--------|-----------|------|--------------|-----------------------------|----|
| 1 | SA3226001 | 1 | クランクロツドダンネジ | SHOULDER SCREW | |
| 2 | SA3227001 | 1 | ナツト6ホソメ | NUT(FT),M6 | |
| 3 | SA3228101 | 1 | ヨウドウギヤ | ROCK GEAR | |
| 4 | SA4782001 | 1 | ヨウドウギヤジク | ROCK GEAR SHAFT | |
| 5 | SA3231001 | 1 | セツトカラ-B | SET SCREW COLLAR,B | |
| 6 | 012060536 | 2 | アナヒラ6X5 | SET SCREW, SOCKET (FT) M6X5 | |
| 7 | SA3233001 | 1 | セツトカラ- | SET SCREW COLLAR | |
| 8 | S23651001 | 2 | アナヒラ6X6ホソメ | SET SCREW, SOCKET (FT) M6X6 | |
| 9 | 012060636 | 2 | アナヒラ6X6 | SET SCREW SOCKET (FT) M6X6 | |
| 10 | SA4783001 | 1 | シタジククミ | LOWER SHAFT ASSY | |
| 11 | 012500536 | 1 | アナヒラ5X5 | SET SCREW SOCKET (FT) M5X5 | |
| 12 | SA6216001 | 1 | シタジクメタル | LOWER SHAFT BUSH | |
| 13 | 012060636 | 1 | アナヒラ6X6 | SET SCREW SOCKET (FT) M6X6 | |
| 14 | SA3238101 | 2 | カマチヨウセツジク | ADJUSTING STUD | |
| 15 | 081003670 | 2 | リングPW3 | O RING PW3 | |
| 16 | SA6220001 | 1 | オオカマタイGクミ | SHUTTLE RACE BASE ASSY G | |
| 17 | S02429201 | 1 | カマイトアンナイ | SHUTTLE RACE THREAD GUIDE | |
| 18 | SA4199001 | 2 | シメネジ3X4 | SCREW M3X4 | |
| 19 | SA3241001 | 2 | オオカマトリツケツメ | S-RACE BASE SETTING CLAW | |
| 20 | 152684101 | 2 | オオカマトリツケバネ | COMPRESSION SPRING | |
| 21 | 026030136 | 2 | ヒラザガネコガタ3 | WASHER PLAIN S 3 | |
| 22 | 062300616 | 2 | ナベコ3X6 | SCREW PAN M3X6 | |
| 23 | 153050000 | 2 | オオカマタイフェルト | S-RACE BASE FELT | |
| 29 | S59886001 | 2 | フェルト | FELT, L=360 | |
| 30 | 012060636 | 1 | アナヒラ6X6 | SET SCREW SOCKET (FT) M6X6 | |
| 31 | 048070342 | 1 | トメワE7 | RETAINING RING E7 | |
| 32 | SA3284001 | 1 | ドライバー-D | DRIVER,D | |
| 33 | 018501232 | 1 | アナボルト5X12 | BOLT SOCKET M5X12 | |
| 34 | * | 1 | オオカマ | SHUTTLE RACE BASE | |
| 35 | * | 1 | ボビンケースクミ | BOBBIN CASE ASSY | |
| 36 | * | 1 | ケースチヨウシバネ | TENSION SPRING | |
| 37 | * | 1 | ボビンケースバネネジ | BOBBIN CASE SPRING SCREW | |
| 38 | * | 1 | クウテンボウシバネ | ANTI-SPIN SPRING | |
| 39 | * | 1 | ボビン | BOBBIN | |
| 40 | SA3283101 | 1 | セツトカラ-R | SET SCREW COLLAR,R | |
| 41 | 012500536 | 1 | アナヒラ5X5 | SET SCREW SOCKET (FT) M5X5 | |
| 42 | * | 1 | ナカカマ | SHUTTLE HOOK | |
| 43 | S32557001 | 1 | クミヒモ4X4(330) | WICK, 4X4 L=330 | |

F . 給油潤滑關係 / Lubrication

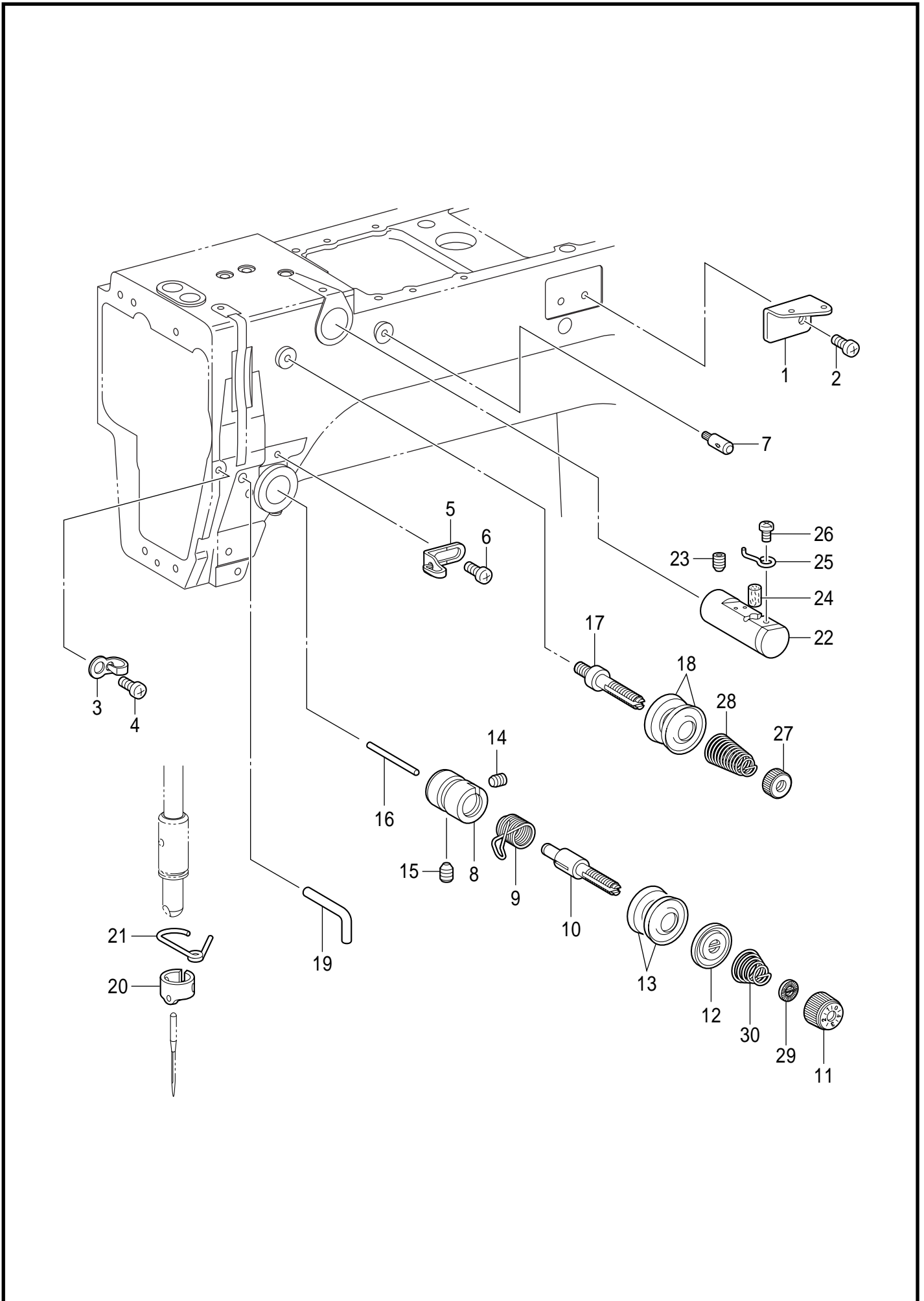


BAS-311G-350

F. 給油潤滑関係 / Lubrication

| REF.NO | CODE | Q'TY | 品名 | NAME OF PARTS | RM |
|--------|-----------|------|--------------|------------------------------|----|
| 1 | SA3244001 | 1 | トメネジ | SET SCREW | |
| 2 | SA4785001 | 1 | クランクカバー | CRANK COVER | |
| 3 | 062061016 | 3 | ナベコ6X10 | SCREW PAN M6X10 | |
| 4 | SA4787001 | 1 | クランクキユウユイタ | CRANK WICK PLATE | |
| 5 | 062400616 | 2 | ナベコ4X6 | SCREW PAN M4X6 | |
| 6 | SA5294001 | 1 | ヒラクミヒモ | FLAT WICK L=120 | |
| 7 | SA4786001 | 1 | スイアゲフェルト | FELT | |
| 8 | SA3503201 | 1 | シタジクキユウユササエ | LOWER SHAFT WICK SUPPORT | |
| 9 | SA3504201 | 1 | シタジクギヤフェルト | LOWER SHAFT GEAR FELT | |
| 10 | 018401036 | 2 | アナボルト4X10 | BOLT SOCKET M4X10 | |
| 11 | SA4788001 | 1 | デンビンキユウユササエ | WICK SUPPORT | |
| 12 | 062400616 | 1 | ナベコ4X6 | SCREW PAN M4X6 | |
| 13 | S49984000 | 1 | ヒラクミヒモ | FLAT WICK, L=200 | |
| 14 | SA5292001 | 1 | クミヒモ | WICK L=780 | |
| 15 | S07459100 | 1 | ビニルチューブ | OIL TUBE, L=240 | |
| 16 | S07459100 | 1 | ビニルチューブ | OIL TUBE, L=240 | |
| 17 | SA6087001 | 1 | ハリボウヒモササエ | WICK SUPPORT | |
| 18 | 104567101 | 1 | クミヒモササエ | WICK SUPPORT | |
| 19 | S49992000 | 1 | オイルポットマド | OIL GAUGE WINDOW | |
| 20 | 152948001 | 1 | オイルポットマド | OIL GAUGE WINDOW | |
| 21 | S50529000 | 2 | ビニルチューブ | OIL TUBE, L=320 | |
| 22 | S07459100 | 1 | ビニルチューブ | OIL TUBE, L=240 | |
| 23 | SA5292001 | 1 | クミヒモ | WICK L=780 | |
| 24 | S53175000 | 1 | フキダシチューブ | OIL TUBE, L=450 | |
| 25 | S56877000 | 1 | ビニルチューブ | OIL TUBE | |
| 26 | S45849000 | 1 | クミヒモ | WICK, L=300 | |
| 27 | 153050000 | 4 | オオカマタイフェルト | S-RACE BASE FELT | |
| 28 | S02877000 | 1 | クミヒモ | WICK, 4X4 L=350 | |
| 29 | S07459100 | 1 | ビニルチューブ | OIL TUBE, L=240 | |
| 30 | SA3246001 | 1 | ギヤキユウユササエ | GEAR WICK SUPPORT | |
| 31 | SA3280001 | 1 | ギヤフェルト | GEAR FELT | |
| 32 | SA4789101 | 1 | シタジクキユウユササエB | LOWER SHAFT WICK SUPPORT B | |
| 33 | 062060816 | 1 | ナベコ6X8 | SCREW PAN M6X8 | |
| 34 | 145547001 | 1 | チューブホルダ | TUBE HOLDER | |
| 35 | 062400616 | 1 | ナベコ4X6 | SCREW PAN M4X6 | |
| 36 | SA4790001 | 1 | クミヒモ4X4 | WICK L=1370 | |
| 37 | SA4791001 | 1 | ビニルチューブ | OIL TUBE L=575 | |
| 38 | 149547000 | 1 | コードオサエ | CORD HOLDER, 4N | |
| 39 | 525567000 | 1 | コードホルダ#8 | CORD HOLDER, #8 | |
| 40 | 0A5401006 | 2 | +ナベザクミ4X10DB | SCREW PAN (S/P WASHER) M4X10 | |
| 41 | 525664000 | 1 | コードホルダ#6 | CORD HOLDER, #6 | |
| 42 | 0A5401006 | 4 | +ナベザクミ4X10DB | SCREW PAN (S/P WASHER) M4X10 | |
| 43 | SA5259001 | 1 | オイルカバー | OIL COVER | |
| 44 | SA5260001 | 1 | オイルカバーパッキン | OIL COVER PACKING | |
| 45 | 0A5401006 | 8 | +ナベザクミ4X10DB | SCREW PAN (S/P WASHER) M4X10 | |
| 46 | S38265000 | 1 | ターミナルL | TERMINAL, L | |
| 47 | 142274101 | 1 | ゴムセン4.2 | RUBBER CAP, 4.2 | |
| 50 | SA6263001 | 1 | ビニルチューブ | OIL TUBE L=320 | |
| 51 | SA6260001 | 1 | フェルトクミ | FELT ASSY | |
| 52 | S51668000 | 1 | クミヒモ4X4(200) | WICK, 4X4 L=200 | |
| 53 | S07810000 | 1 | ビニルチューブ | OIL TUBE, L=90 | |
| 54 | SA5339101 | 1 | オイルクチパイプ | OIL FEEDING PIPE | |
| 55 | 525567000 | 3 | コードホルダ#8 | CORD HOLDER, #8 | |
| 56 | SA3242001 | 1 | フェルトササエ | FELT HOLDER | |
| 57 | S44924001 | 2 | シメネジM3X5.5 | SCREW, M3X5.5 | |
| 58 | SA3274101 | 1 | フェルトオサエ | FELT HOLDER | |
| 59 | S47307001 | 2 | シメネジ3X4 | SCREW, M3X4 | |

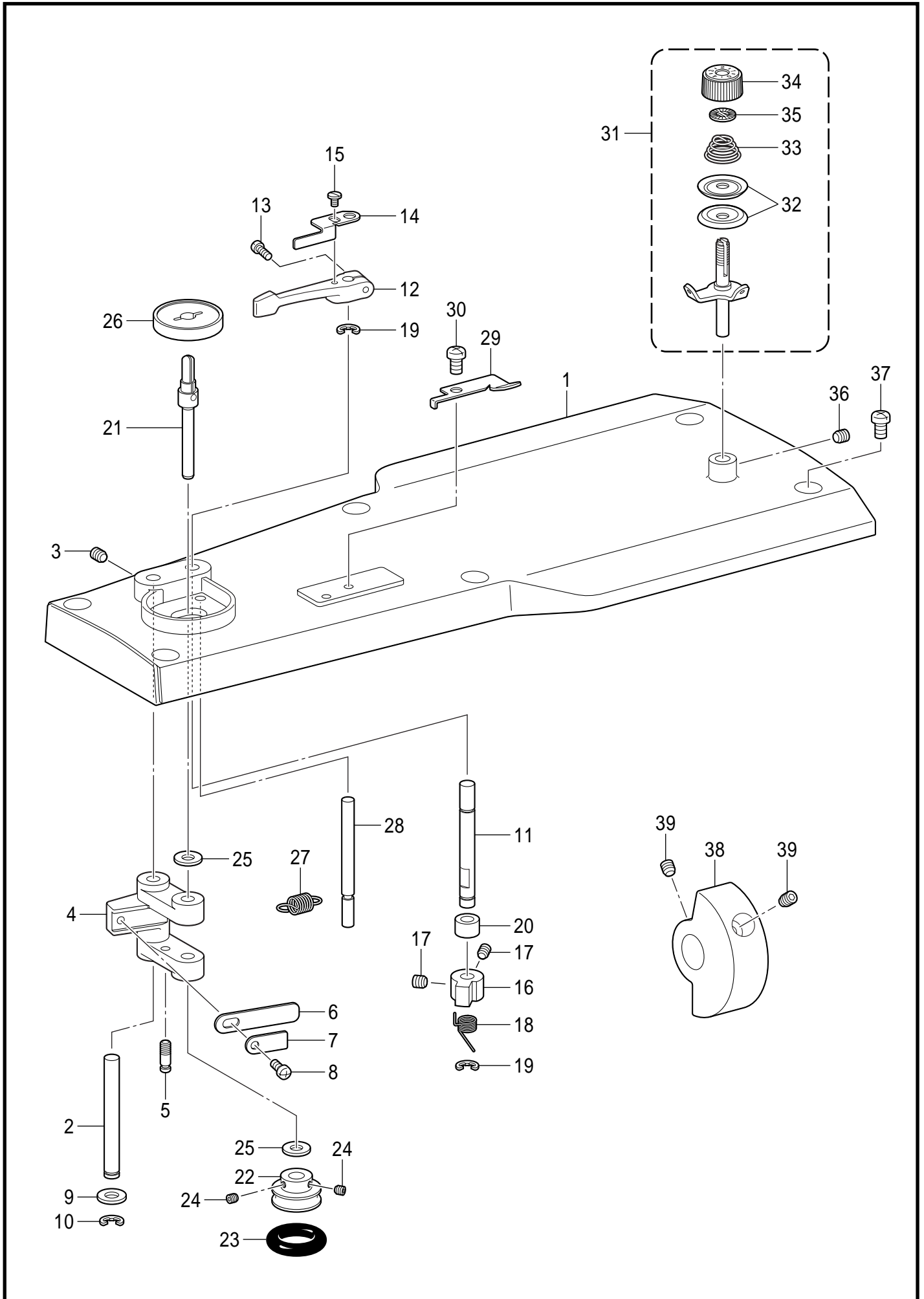
G . 糸通し関係 / Threading mechanism



G. 糸通し関係 / Threading mechanism

| REF.NO | CODE | Q'TY | 品名 | NAME OF PARTS | RM |
|--------|-----------|------|----------------|----------------------------|----|
| 1 | SA3250001 | 1 | ア-ムイトミチA | ARM THREAD GUIDE,A | |
| 2 | 062500616 | 1 | ナベコ5X6 | SCREW PAN M5X6 | |
| 3 | SA4333001 | 1 | ア-ムイトミチB | ARM THREAD GUIDE,B | |
| 4 | 062500616 | 1 | ナベコ5X6 | SCREW PAN M5X6 | |
| 5 | SA6391001 | 1 | ア-ムイトミチC | ARM THREAD GUIDE C | |
| 6 | 062500616 | 1 | ナベコ5X6 | SCREW PAN M5X6 | |
| 7 | 153049001 | 1 | ウワイトアンナイボウ | UPPER THREAD GUIDE STUD | |
| 8 | SA3254001 | 1 | イトチヨウシダイ | TENSION BRACKET | |
| 9 | * | 1 | イトトリバネ | THREAD TAKE-UP SPRING | |
| 10 | SA3255001 | 1 | イトチヨウシボウ | TENSION STUD | |
| 11 | S31032001 | 1 | チヨウシサラナツト | TENSION NUT | |
| 12 | 159805001 | 1 | イトチヨウシサラオサエ | TENSION DISC PRESSER | |
| 13 | 145446001 | 1 | イトチヨウシサラ | DISC, TENSION | |
| 14 | 100402004 | 1 | トメネジ3.57 | SET SCREW, SM3.57 | |
| 15 | SA4143001 | 1 | アナトメネジ6 | SET SCREW, (FT) M6X6 | |
| 16 | S12699000 | 1 | イトユルメピン | TENSION RELEASE PIN | |
| 17 | SA3256001 | 1 | イトチヨウシボウA | TENSION STUD,A | |
| 18 | 145446001 | 2 | イトチヨウシサラ | DISC, TENSION | |
| 19 | 159224001 | 1 | ア-ムイトカケ | THREAD GUIDE, ARM | |
| 20 | * | 1 | ハリボウイトアンナイ | NEEDLE BAR THREAD GUIDE | |
| 21 | SA3258001 | 1 | ハリボウメタルDイトアンナイ | N-BAR BUSH THREAD GUIDE,D | |
| 22 | 152881001 | 1 | エキレイタイクミ | NEEDLE COOLER ASSY | |
| 23 | 012060636 | 1 | アナヒラ6X6 | SET SCREW SOCKET (FT) M6X6 | |
| 24 | 152883000 | 1 | フェルト8X15.5 | FELT, 8X15.5 | |
| 25 | 152884001 | 1 | エキレイイトカケ | NEEDLE COOLER THREAD GUIDE | |
| 26 | 062670412 | 1 | ナベコ357-40X4 | SCREW PAN SM3.57-40X4 | |
| 27 | 100136001 | 1 | イトチヨウシナツト | TENSION NUT | |
| 28 | SA4146001 | 1 | フクチヨウシバネ | SUB TENSION SPRING | |
| 29 | S12441001 | 1 | チヨウシバネウエザガネ | WASHER | |
| 30 | * | 1 | イトチヨウシバネ | TENSION SPRING | |

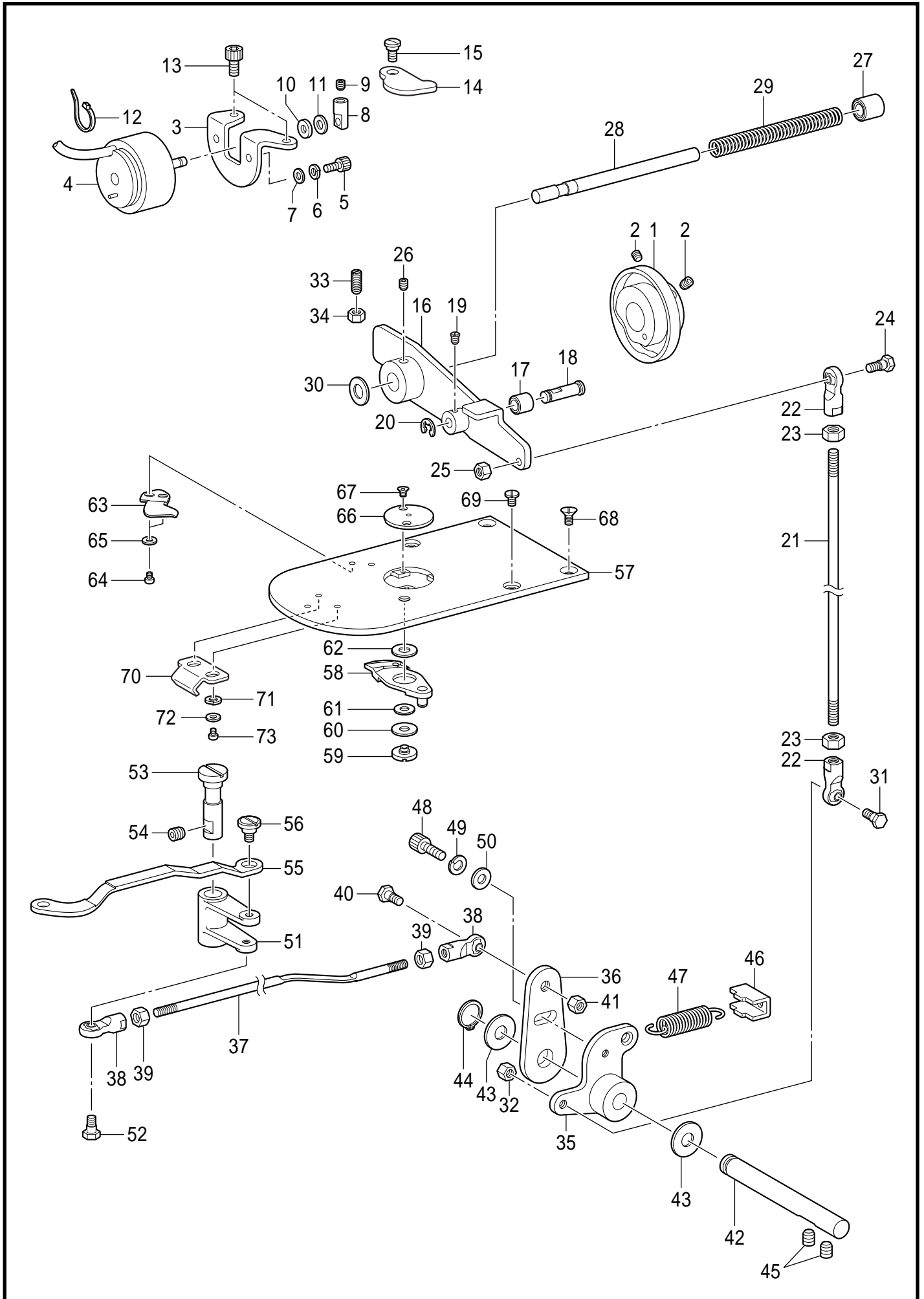
H. 糸巻関係 / Bobbin winder mechanism



H. 糸巻関係 / Bobbin winder mechanism

| REF.NO | CODE | Q'TY | 品名 | NAME OF PARTS | RM |
|--------|-----------|------|-------------|-----------------------------|----|
| 1 | SA4795001 | 1 | ウワフタ | TOP COVER | |
| 2 | SA3290001 | 1 | イトマキレバージク | SHAFT,BW-LEVER | |
| 3 | 012500536 | 1 | アナヒラ5X5 | SET SCREW SOCKET (FT) M5X5 | |
| 4 | SA3291001 | 1 | イトマキレバー | BOBBIN WINDER LEVER | |
| 5 | SA4171001 | 1 | バネカケ | SPRING HOOK | |
| 6 | 152936001 | 1 | イタバネ | PLATE SPRING | |
| 7 | 152937001 | 1 | ザガネ | WASHER | |
| 8 | 062350616 | 1 | ナベコ35X6 | SCREW PAN M3.5X6 | |
| 9 | 159486001 | 1 | ザガネ | WASHER | |
| 10 | 048050342 | 1 | トメワE5 | RETAINING RING E5 | |
| 11 | SA3293001 | 1 | イトマキツメジク | STUD,B-WINDER CLAW | |
| 12 | SA1984001 | 1 | ボビンオサエウデ | BOBBIN PRESSER ARM | |
| 13 | 062401216 | 1 | ナベコ4X12 | SCREW PAN M4X12 | |
| 14 | SA3294001 | 1 | ボビンオサエ | BOBBIN PRESSER | |
| 15 | S23418002 | 1 | シメネジ4X5 | SCREW, M4X5 | |
| 16 | SA3295001 | 1 | イトマキツメ | CLAW,B-WINDER | |
| 17 | 012400436 | 2 | アナヒラ4X4 | SET SCREW SOCKET (FT) M4X4 | |
| 18 | S10438001 | 1 | イトマキツメネジリバネ | SPRING, TWIST | |
| 19 | 048050342 | 2 | トメワE5 | RETAINING RING E5 | |
| 20 | SA4796001 | 1 | スペーサーカラー | SPACER COLLER | |
| 21 | SA3296001 | 1 | イトマキジク | BOBBIN WINDER SHAFT | |
| 22 | SA3297001 | 1 | イトマキクルマ | WHEEL,B-WINDER | |
| 23 | 120448001 | 1 | ゴムワ | BOBBIN WINDER RUBBER BAND | |
| 24 | 012400436 | 2 | アナヒラ4X4 | SET SCREW SOCKET (FT) M4X4 | |
| 25 | 159486001 | 2 | ザガネ | WASHER | |
| 26 | SA1988001 | 1 | ボビンウケ | BOBBIN SUPPORT | |
| 27 | S10268001 | 1 | イトマキレバーヒキバネ | SPRING | |
| 28 | SA3298001 | 1 | ストツパジク | STPPER SHAFT,B-WINDER | |
| 29 | SA3299001 | 1 | メス | KNIFE | |
| 30 | 062500616 | 1 | ナベコ5X6 | SCREW PAN M5X6 | |
| 31 | SA1994001 | 1 | イトマキチヨウシクミ | BOBBIN WINDER TENSION ASSY | |
| 32 | 145446001 | 2 | イトチヨウシサラ | DISC, TENSION | |
| 33 | 100401021 | 1 | イトチヨウシバネ | TENSION SPRING | |
| 34 | S31032001 | 1 | イトチヨウシナツト | TENSION NUT | |
| 35 | S12441001 | 1 | チヨウシバネウエザガネ | WASHER | |
| 36 | 012500536 | 1 | アナヒラ5X5 | SET SCREW SOCKET (FT) M5X5 | |
| 37 | 062061016 | 6 | ナベコ6X10 | SCREW PAN M6X10 | |
| 38 | SA4797101 | 1 | イトマキドウリン | DRIVING WHEEL B-WINDER | |
| 39 | S23651001 | 2 | アナヒラ6X6ホソメ | SET SCREW, SOCKET (FT) M6X6 | |

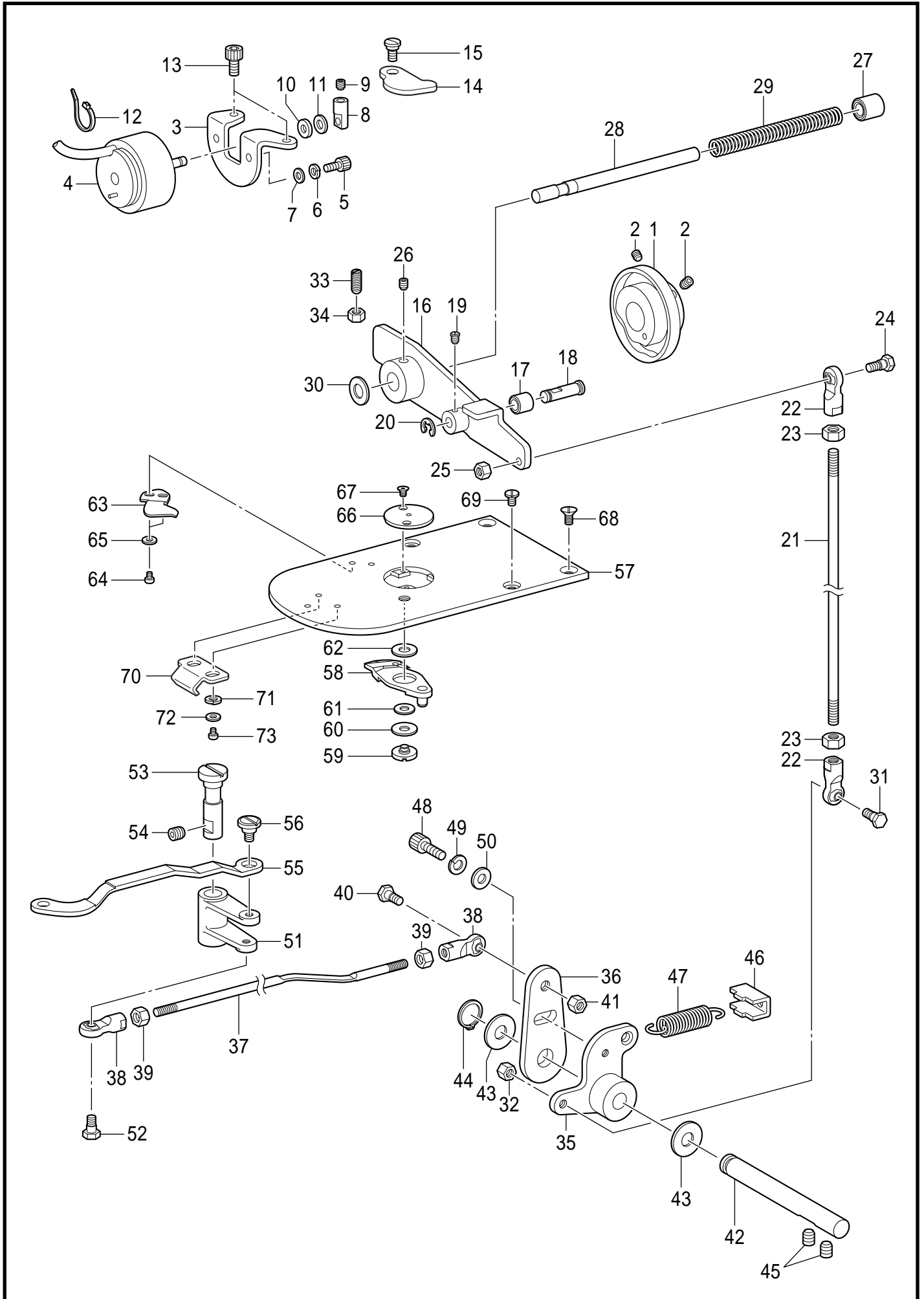
J. 糸切り関係 / Thread trimmer mechanism



J. 糸切り関係 / Thread trimmer mechanism

| REF.NO | CODE | Q'TY | 品名 | NAME OF PARTS | RM |
|--------|-----------|------|-----------------|--------------------------------|----|
| 1 | SA3301101 | 1 | イトキリカム | THREAD TRIMMER CAM | |
| 2 | S23651001 | 2 | アナヒラ6X6ホソメ | SET SCREW, SOCKET (FT) M6X6 | |
| 3 | SA4798001 | 1 | ソレノイドトリツケイタ | SETTING PLATE SOLENOID | |
| 4 | SA5135001 | 1 | イトキリソレノイド | THREAD TRIMMER SOLENOID | |
| 5 | 017400802 | 2 | ボルト4X8 | BOLT M4X8 | |
| 6 | 028040246 | 2 | バネザガネ2-4 | WASHER SPRING 2-4 | |
| 7 | 025040236 | 2 | ヒラザガネチュウ4 | WASHER PLAIN M 4 | |
| 8 | SA3307001 | 1 | ソレノイドレバー | SOLENOID LEVER | |
| 9 | 012400436 | 1 | アナヒラ4X4 | SET SCREW SOCKET (FT) M4X4 | |
| 10 | 154599000 | 1 | ソレノイドクツシヨン | SOLENOID CUSHION | |
| 11 | S02652001 | 1 | ザガネ | WASHER | |
| 12 | S04159000 | 1 | バインド1M | BAND, 1M | |
| 13 | S55484002 | 2 | アナボルトザクミ5X10 | BOLT, SOCKET (S/P WASHER)M5X10 | |
| 14 | SA4799001 | 1 | クドウレバー-オシレバー | PUSHING LEVER D-LEVER | |
| 15 | SA3306001 | 1 | ダンネジ7-3 | SHOULDER SCREW,7-3 | |
| 16 | SA3309101 | 1 | イトキリクドウレバー | TR-DRIVING LEVER | |
| 17 | SA3310001 | 1 | イトキリコロ | COLLAR, TR-TRIMMER | |
| 18 | SA3311001 | 1 | イトキリコロジク | COLLAR SHAFT | |
| 19 | S46903001 | 1 | アタマツキトメネジ4X5 | SET SCREW, M4X5 | |
| 20 | 048040342 | 1 | トメワE4 | RETAINING RING E4 | |
| 21 | SA3315001 | 1 | イトキリロツドV | THREAD TRIMMER ROD V | |
| 22 | S32465001 | 2 | タマツギテクミ | BALL JOINT ASSY | |
| 23 | 021060106 | 2 | 1シュナット6 | NUT 1 M6 | |
| 24 | S32462001 | 1 | タマツギテダンネジB | SHOULDER SCREW, B ;M6 | |
| 25 | 021060306 | 1 | 3シュナット6 | NUT 3 M6 | |
| 26 | S23651001 | 1 | アナヒラ6X6ホソメ | SET SCREW, SOCKET (FT) M6X6 | |
| 27 | 231071001 | 1 | メタル8X15 | BUSH, 8X15 | |
| 28 | SA3312001 | 1 | クドウレバー-アンナイジク | GUIDE SHAFT | |
| 29 | SA3313101 | 1 | クドウジクバネ | SPRING, COMPRESSION | |
| 30 | 154596000 | 1 | イトキリカムレバー-クツシヨン | CUSHION | |
| 31 | S32462001 | 1 | タマツギテダンネジB | SHOULDER SCREW, B ;M6 | |
| 32 | 021060306 | 1 | 3シュナット6 | NUT 3 M6 | |
| 33 | S25475101 | 1 | トメネジ6 | SET SCREW, M6X19 | |
| 34 | 021060106 | 1 | 1シュナット6 | NUT 1 M6 | |
| 35 | SA4546001 | 1 | イトキリレバーV | THREAD TRIMMER LEVER V | |
| 36 | SA3317001 | 1 | イトキリレバーH | THREAD TRIMMER LEVER H | |
| 37 | SA4801001 | 1 | イトキリロツドH | THREAD TRIMMER ROD H | |
| 38 | S32465001 | 2 | タマツギテクミ | BALL JOINT ASSY | |
| 39 | 021060106 | 2 | 1シュナット6 | NUT 1 M6 | |
| 40 | S32462001 | 1 | タマツギテダンネジB | SHOULDER SCREW, B ;M6 | |
| 41 | 021060306 | 1 | 3シュナット6 | NUT 3 M6 | |
| 42 | SA3319101 | 1 | イトキリレバー-ジク | SHAFT, TR-TRIMMER LEVER | |
| 43 | SA4545001 | 2 | カンザ | SPACER | |
| 44 | 048080142 | 1 | トメワジクヨウC8 | RETAINING RING EXTERNAL C8 | |
| 45 | 012060636 | 2 | アナヒラ6X6 | SET SCREW SOCKET (FT) M6X6 | |
| 46 | SA3320101 | 1 | バネカケ | SPRING HOOK | |
| 47 | SA3321001 | 1 | イトキリモシバネ | SPRING, EXTENSION | |
| 48 | 018501232 | 1 | アナボルト5X12 | BOLT SOCKET M5X12 | |
| 49 | 028050246 | 1 | バネザガネ2-5 | WASHER SPRING 2-5 | |
| 50 | 146354002 | 1 | ザガネ | WASHER, PLAIN 5 | |
| 51 | SA3324001 | 1 | イドウハレレバー | MOVING KNIFE LEVER | |
| 52 | SA3325001 | 1 | ダンネジ6.35-6 | SHOULDER SCREW, 6.35-6 | |
| 53 | SA4802001 | 1 | イドウハレレバー-ジク | SHAFT MOVABLE KNIFE LEVER | |
| 54 | 012060636 | 1 | アナヒラ6X6 | SET SCREW SOCKET (FT) M6X6 | |
| 55 | SA3327101 | 1 | イドウハレンカン | M-KNIFE CONNECTING PLATE | |
| 56 | SA4354001 | 1 | ダンネジ6-1.8 | SHOULDER SCREW, 6-1.8 | |

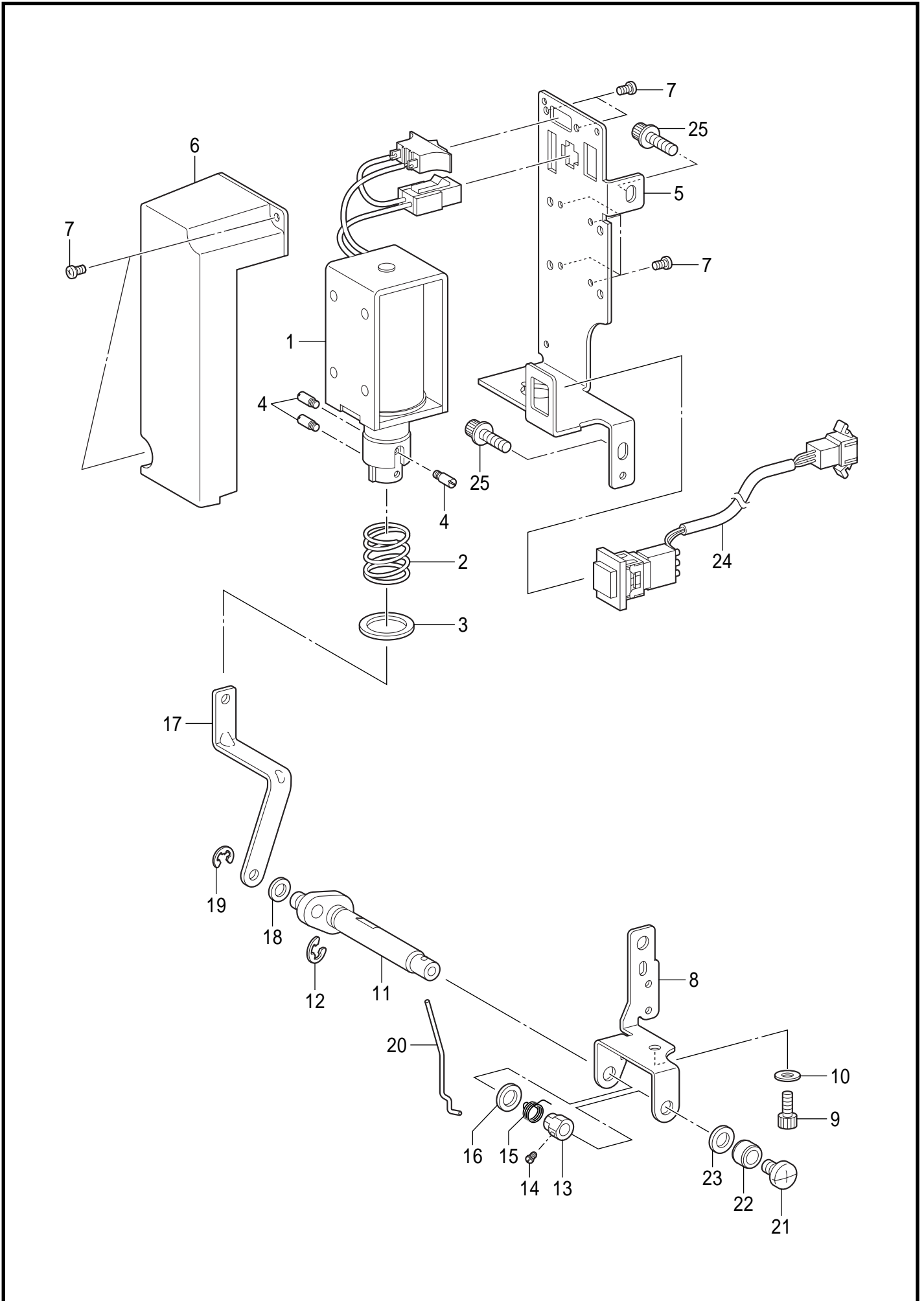
J. 糸切り関係 / Thread trimmer mechanism



J. 糸切り関係 / Thread trimmer mechanism

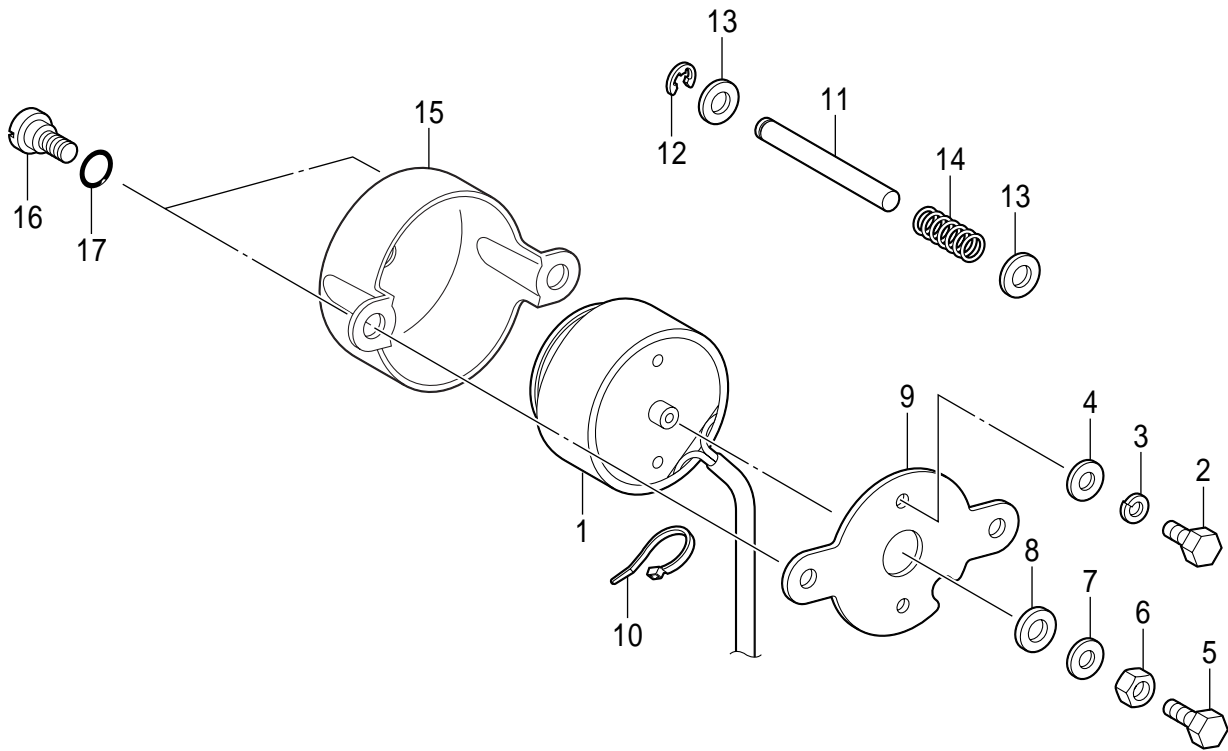
| REF.NO | CODE | Q'TY | 品名 | NAME OF PARTS | RM |
|--------|-----------|------|-------------|------------------------------|----|
| 57 | SA5157001 | 1 | ハリイタA | NEEDLE PLATE A | |
| 58 | SA3330001 | 1 | イドウハFクミ | MOVABLE KNIFE ASSY F | |
| 59 | SA4518001 | 1 | イドウハダンネジ | MOVABLE KNIFE SHOULDER SCREW | |
| 60 | SA4519001 | 1 | スラストザガネ | THRUST WASHER | |
| 61 | S00705001 | 1 | イドウハカラー | MOVABLE KNIFE COLLAR | |
| 62 | SA3334001 | 1 | イドウハカンザ | M-KNIFE SPACER | |
| 63 | SA3335001 | 1 | コテイハF | FIXED KNIFE F | |
| 64 | 062300416 | 2 | ナベコ3X4 | SCREW PAN M3X4 | |
| 65 | 025030236 | 2 | ヒラザガネチュウ3 | WASHER PLAIN M 3 | |
| 66 | * | 1 | ハリアナイタ | NEEDLE HOLE PLATE | |
| 67 | 100360003 | 2 | サラネジ2.38 | SCREW | |
| 68 | S25310101 | 2 | サラネジ4 | SCREW, FLAT M4 | |
| 69 | SA3538001 | 2 | シメネジ4X8 | SCREW,M4X8 | |
| 70 | SA6273001 | 1 | オオカマカバーフックU | SHUTTLE BASE COVER HOOK U | |
| 71 | 028030246 | 2 | バネザガネ2-3 | WASHER SPRING 2-3 | |
| 72 | 025030236 | 2 | ヒラザガネチュウ3 | WASHER PLAIN M 3 | |
| 73 | 062300416 | 2 | ナベコ3X4 | SCREW PAN M3X4 | |

K. 糸払い関係 / Thread wiper mechanism



K. 糸払い関係 / Thread wiper mechanism

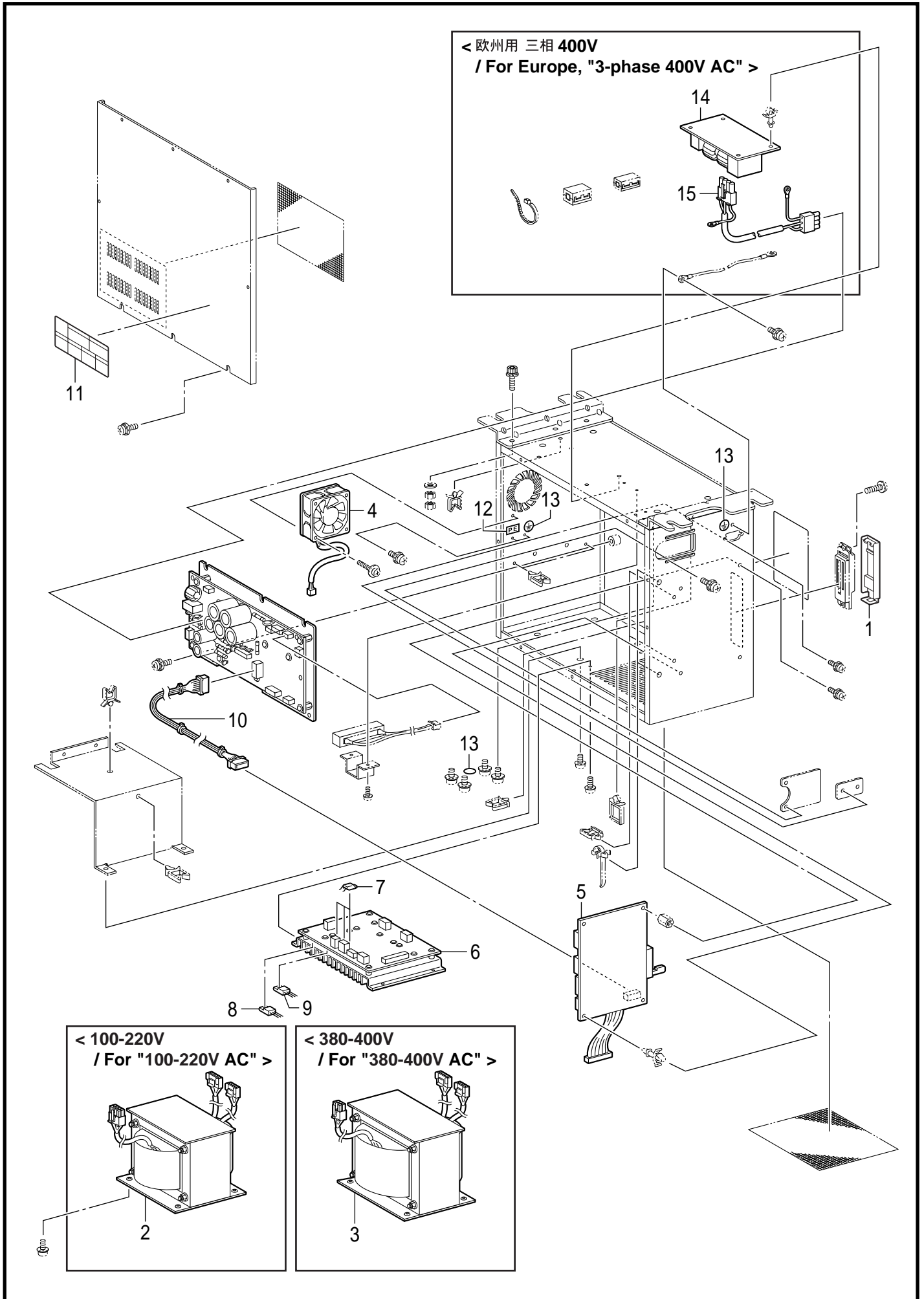
| REF.NO | CODE | Q'TY | 品名 | NAME OF PARTS | RM |
|--------|-----------|------|----------------|--------------------------------|----|
| 1 | SA5208001 | 1 | イトハライソレノイドクミ | THREAD WIPER SOLENOID ASSY | |
| 2 | S41206001 | 1 | イトハライバネ | THREAD WIPER SPRING | |
| 3 | S41205001 | 1 | ヒラザガネ | WASHER, PLAIN | |
| 4 | S25456001 | 3 | プランジヤピン | PLUNGER PIN | |
| 5 | SA5217001 | 1 | イトハライSOLTリツケイタ | T-WIPER SOLENOID SETTING PLATE | |
| 6 | SA4806001 | 1 | ソレノイドカバー | SOLENOID COVER | |
| 7 | 062300616 | 8 | ナベコ3X6 | SCREW PAN M3X6 | |
| 8 | SA5218001 | 1 | イトハライジクウケイタ | THREAD WIPER SHAFT BRACKET | |
| 9 | 018400836 | 1 | アナボルト4X8 | BOLT SOCKET M4X8 | |
| 10 | 025040236 | 1 | ヒラザガネチュウ4 | WASHER PLAIN M 4 | |
| 11 | SA1967001 | 1 | イトハライクランククミ | THREAD WIPER CRANK ASSY | |
| 12 | 048040342 | 1 | トメワE4 | RETAINING RING E4 | |
| 13 | S25454001 | 1 | セツトカラ | SET SCREW COLLAR | |
| 14 | S25279001 | 1 | アタマトメクボミM35-5 | SET SCREW, (CP) M3.5-5 | |
| 15 | SA2287001 | 1 | ワイパーバネ | SPRING | |
| 16 | 149097000 | 1 | シヨウオンシート | SILENT SHEET | |
| 17 | SA5219001 | 1 | イトハライロッド | THREAD WIPER ROD | |
| 18 | 110735001 | 1 | ザガネ | WASHER | |
| 19 | 048030342 | 1 | トメワE3 | RETAINING RING E3 | |
| 20 | S10470101 | 1 | ワイパー | WIPER | |
| 21 | 060400516 | 1 | バインド4X5 | SCREW BIND M4X5 | |
| 22 | 146288001 | 1 | イトハライジクカラ | THREAD WIPER STUD COLLAR | |
| 23 | S03677001 | 1 | ザガネ | WASHER | |
| 24 | SA5213001 | 1 | テイシSWクミ | STOP SWITCH ASSY | |
| 25 | S55485001 | 2 | アナボルトザクミ5X12 | BOLT, SOCKET (S/P WASHER)M5X12 | |



L. 糸緩め関係 / Tension release mechanism

| REF.NO | CODE | Q'TY | 品名 | NAME OF PARTS | RM |
|--------|-----------|------|--------------|-----------------------------|----|
| 1 | SA4855001 | 1 | イトユルメソレノイドHV | TENSION RELEASE SOLENOID HV | |
| 2 | 017400802 | 2 | ボルト4X8 | BOLT M4X8 | |
| 3 | 028040246 | 2 | バネザガネ2-4 | WASHER SPRING 2-4 | |
| 4 | 025040236 | 2 | ヒラザガネチュウ4 | WASHER PLAIN M 4 | |
| 5 | 017401415 | 1 | ボルト4X14 | BOLT M4X14 | |
| 6 | 021400306 | 1 | 3シュナット4 | NUT 3 M4 | |
| 7 | 102707002 | 1 | ザガネ | WASHER | |
| 8 | 154599000 | 1 | ソレノイドクッション | SOLENOID CUSHION | |
| 9 | SA6389001 | 1 | ソレノイドトリツケイタ | SETTING PLATE SOLENOID | |
| 10 | S04159000 | 1 | バンド1M | BAND, 1M | |
| 11 | SA3347001 | 1 | イトユルメボウ | TENSION RELEASE BAR | |
| 12 | 048040342 | 1 | トメワE4 | RETAINING RING E4 | |
| 13 | 025050236 | 2 | ヒラザガネチュウ5 | WASHER PLAIN M 5 | |
| 14 | SA3348001 | 1 | コイルバネ | SPRING, COMPRESSION | |
| 15 | SA3349001 | 1 | ソレノイドカバー | SOLENOID COVER | |
| 16 | SA3306001 | 2 | ダンネジ7-3 | SHOULDER SCREW, 7-3 | |
| 17 | 081007070 | 2 | OリングP7 | O RING P7 | |

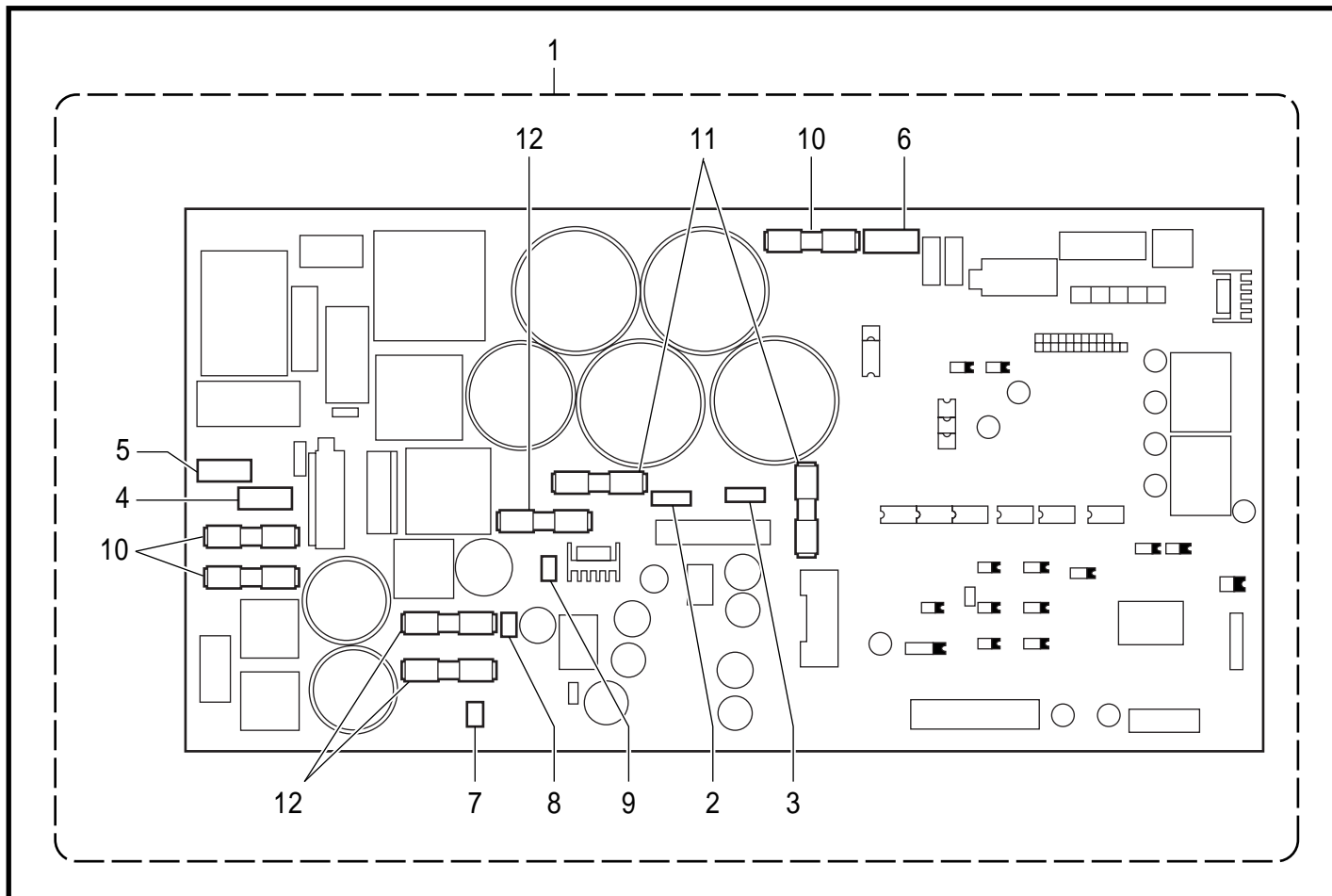
M1 . コントロールボックス関係 / Control box mechanism



M1. コントロールボックス関係 / Control box mechanism

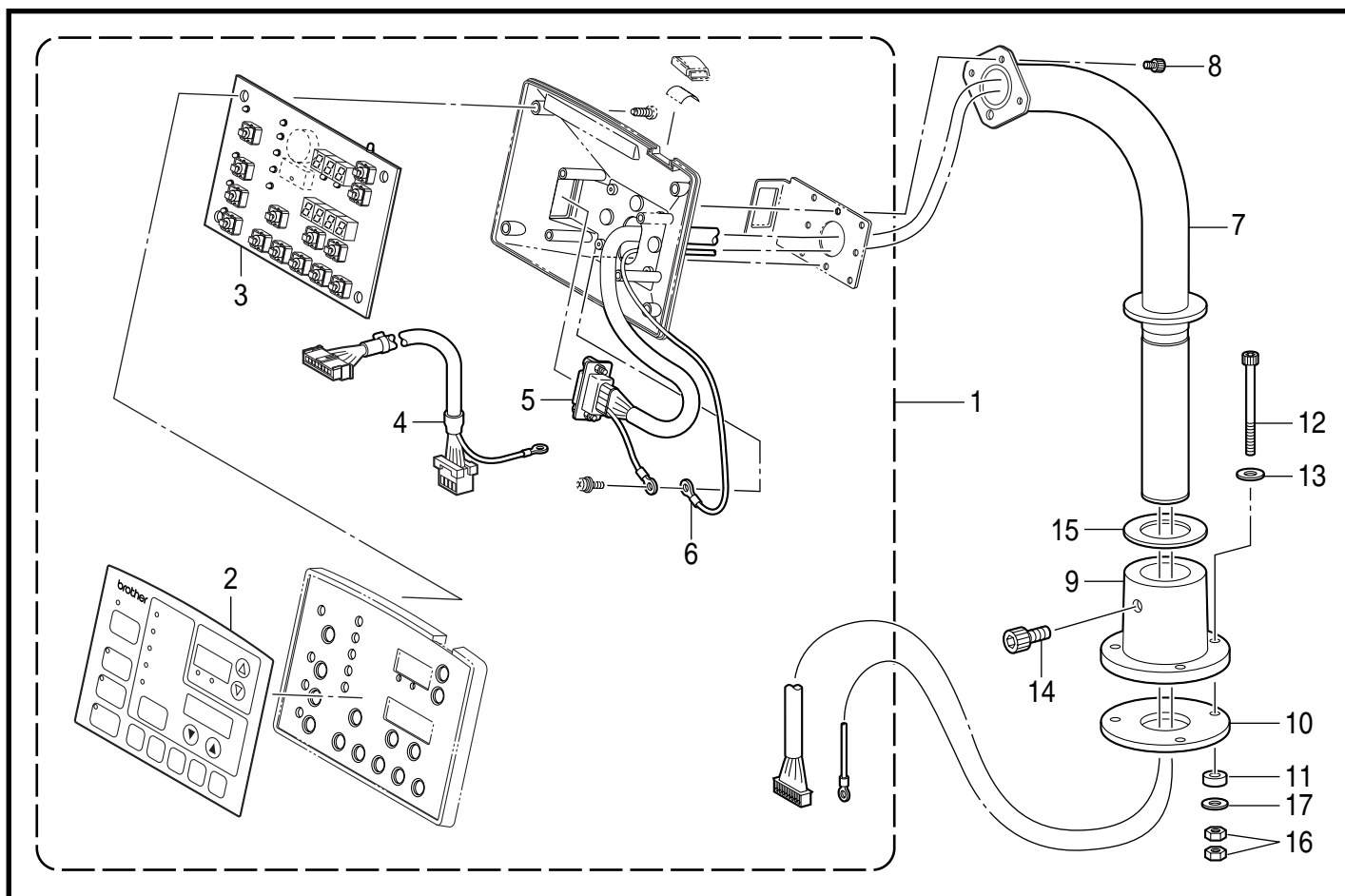
| REF.NO | CODE | Q'TY | 品名 | NAME OF PARTS | RM |
|--------|-----------|------|-----------------|--------------------------------|----|
| 1 | SA6364001 | 1 | CFキャップクミ | CF CAP ASSY | |
| | | | <100-220V> | <For "100-220V AC"> | |
| 2 | SA3720001 | 1 | トランスLV | TRANSFORMER LOW VOLTAGE | |
| | | | <380-400V> | <For "380-400V AC"> | |
| 3 | SA3808001 | 1 | トランスHV | TRANSFORMER HIGH VOLTAGE | |
| 4 | SA3797001 | 1 | DCファンモータクミ | DC-FAN MOTOR ASSY | |
| 5 | SA3724101 | 1 | メインキバンクミ | PCB ASSY,MAIN | |
| 6 | SA3739301 | 1 | PMDキバンクミ | PCB ASSY,PMD | |
| 7 | SA3744001 | 3 | FET FS10ASJ-2 | TRANSISTOR, FET:FS10ASJ-2 | |
| 8 | SA3722001 | 1 | MOSFET FX20KMJ2 | TRANSISTOR, FET:FX20KMJ-2 | |
| 9 | S49484000 | 1 | MOSFETFS10KMJ-2 | TRANSISTOR, FET:FS10KMJ-2 | |
| 10 | SA3806001 | 1 | MAINデンゲンハーネス | HARNESS, MAIN POWER SUPPLY | |
| 11 | J04115001 | 1 | ラベル感電6ヶ国 | LABEL, ELEC. SHOCK 6 LANG | |
| 12 | 537060001 | 1 | PE マーク | LABEL, PE | |
| 13 | S37059001 | 3 | アースマーク | LABEL, GROUNDING | |
| | | | <欧州用 三相 400V> | <For Europe,"3-phase 400V AC"> | |
| 14 | SA3581001 | 1 | フィルタキバンクミ | PCB ASSY,NF | |
| 15 | SA3796001 | 1 | NF OUTコード | HARNESS,NF OUT | |

M2 .コントロールボックス関係(電源基板) / Control box (PCB) mechanism



BAS-311G-502

N . 操作パネル関係 / Operation panel mechanism



BAS-311G-530

M2. コントロールボックス関係（電源基板） / Control box (PCB) mechanism

| REF.NO | CODE | Q'TY | 品名 | NAME OF PARTS | RM |
|--------|-----------|------|----------------|-----------------------------|----|
| 1 | SA3755201 | 1 | デンゲンモータキバンクミ | PCB ASSY,POWER SUPPLY MOTOR | |
| 2 | SA3765001 | 1 | バリスタTNR10V101K | VARISTOR:V10D101 | |
| 3 | SA3766001 | 1 | バリスタTNR10V241K | VARISTOR:V10D241 | |
| 4 | SA3767001 | 1 | バリスタTNR14V511K | VARISTOR:V14D511 | |
| 5 | SA3762001 | 1 | バリスタTNR14V911K | VARISTOR:V14D911 | |
| 6 | SA3768001 | 1 | バリスタTNR14V561K | VARISTOR:V14D561 | |
| 7 | SA3769001 | 1 | バリスタTNR5V121K | VARISTOR:V5D121 | |
| 8 | SA3770001 | 1 | バリスタTNR5V330K | VARISTOR:V5D330 | |
| 9 | SA3771001 | 1 | バリスタTNR5V820K | VARISTOR:V5D820 | |
| 10 | SA3794001 | 3 | FGMB 250V-15A | G FUSE S 15A | |
| 11 | SA3795001 | 2 | FGMB 250V-6A | G FUSE S 6A | |
| 12 | 616167001 | 3 | GヒューズS 3A | G FUSE S 3A | |

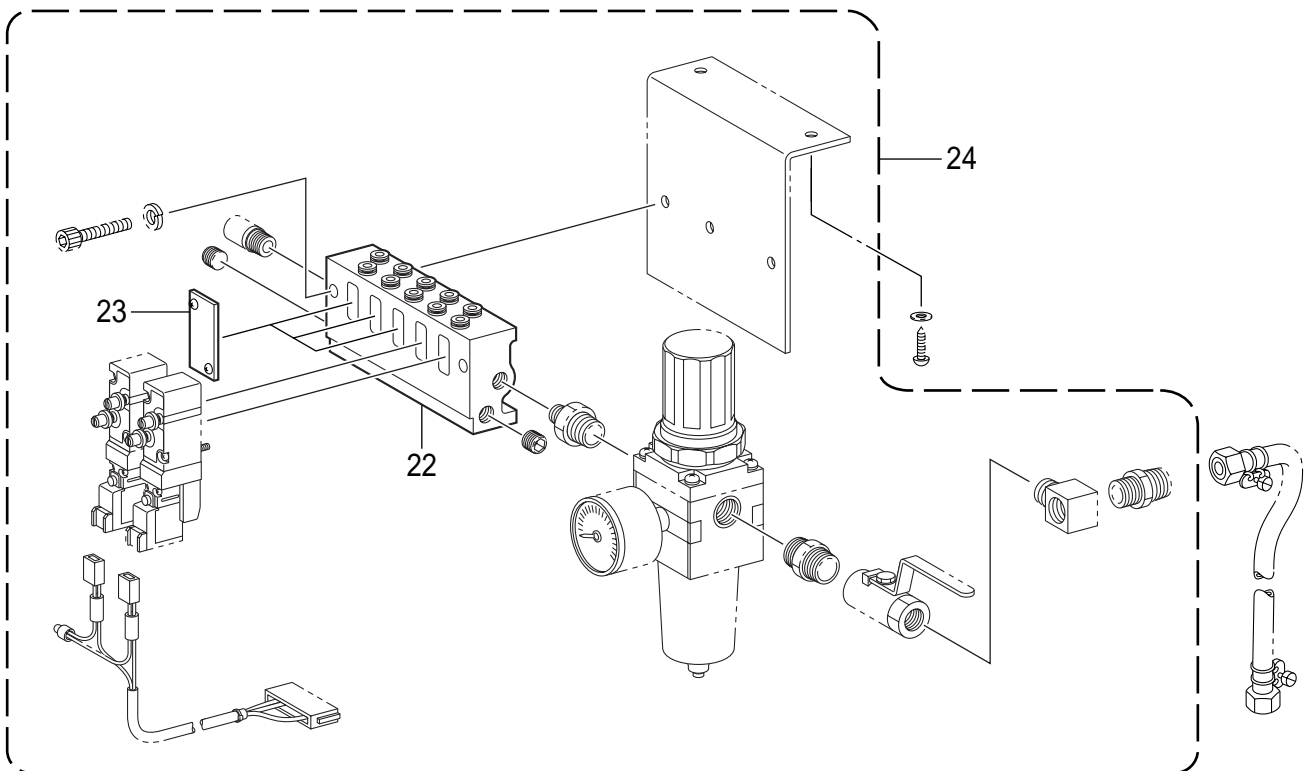
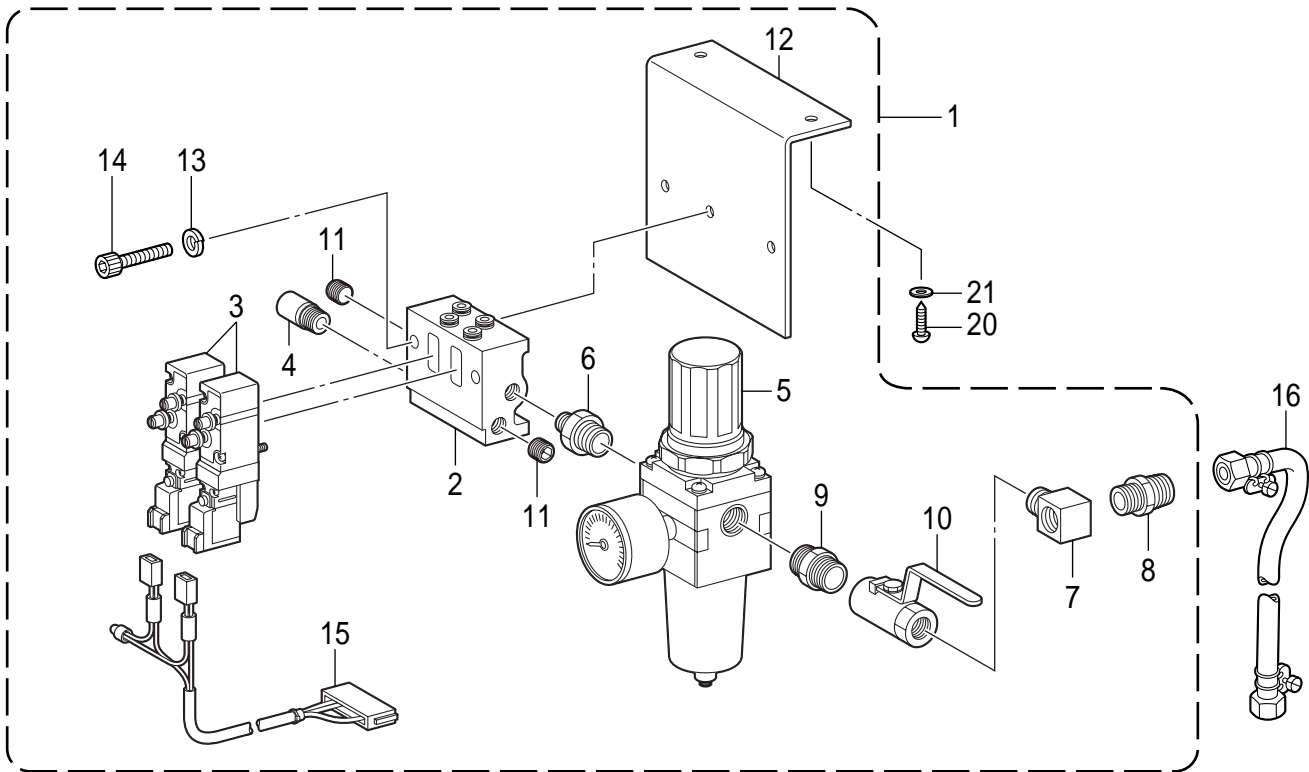
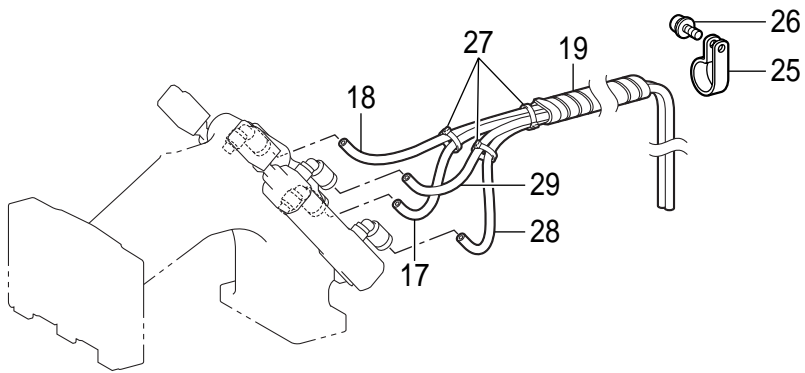
BAS-311G-502

N. 操作パネル関係 / Operation panel mechanism

| REF.NO | CODE | Q'TY | 品名 | NAME OF PARTS | RM |
|--------|-----------|------|----------------|-------------------------------|----|
| 1 | SA4834001 | 1 | ソウサパネルクミ | OPERATION PANEL ASSY | |
| 2 | SA3831001 | 1 | ソウサパネルシート | PANEL SHEET | |
| 3 | SA3833101 | 1 | パネルキバンクミ | PANEL PCB ASSY | |
| 4 | SA4563001 | 1 | パネルハーネス | PANEL HARNESS | |
| 5 | SA4837001 | 1 | プログラマチュウケイハーネス | PROGRAMMER CONNECTING HARNESS | |
| 6 | SA4841001 | 1 | アースセン | GROUND WIRE | |
| 7 | SA4836001 | 1 | ソウサパネルシチュウ | OPERATION PANEL STAND | |
| 8 | 018400636 | 3 | アナボルト4X6 | BOLT SOCKET M4X6 | |
| 9 | S43236009 | 1 | ソウサパネルドダイ | OPERATION PANEL BASE | |
| 10 | S43674000 | 1 | クツシヨンA | CUSHION, A | |
| 11 | S43675000 | 3 | クツシヨンB | CUSHION, B | |
| 12 | S25634101 | 3 | アナボルト5X65 | BOLT, SOCKET M5X65 | |
| 13 | 025050236 | 3 | ヒラザガネチュウ5 | WASHER PLAIN M 5 | |
| 14 | 018081636 | 1 | アナボルト8X16 | BOLT SOCKET M8X16 | |
| 15 | S10408000 | 1 | ゴムシート | RUBBER SHEET | |
| 16 | 021500106 | 6 | 1シュナット5 | NUT 1 M5 | |
| 17 | 025050336 | 3 | ヒラザガネダイ5 | WASHER PLAIN L 5 | |

BAS-311G-530

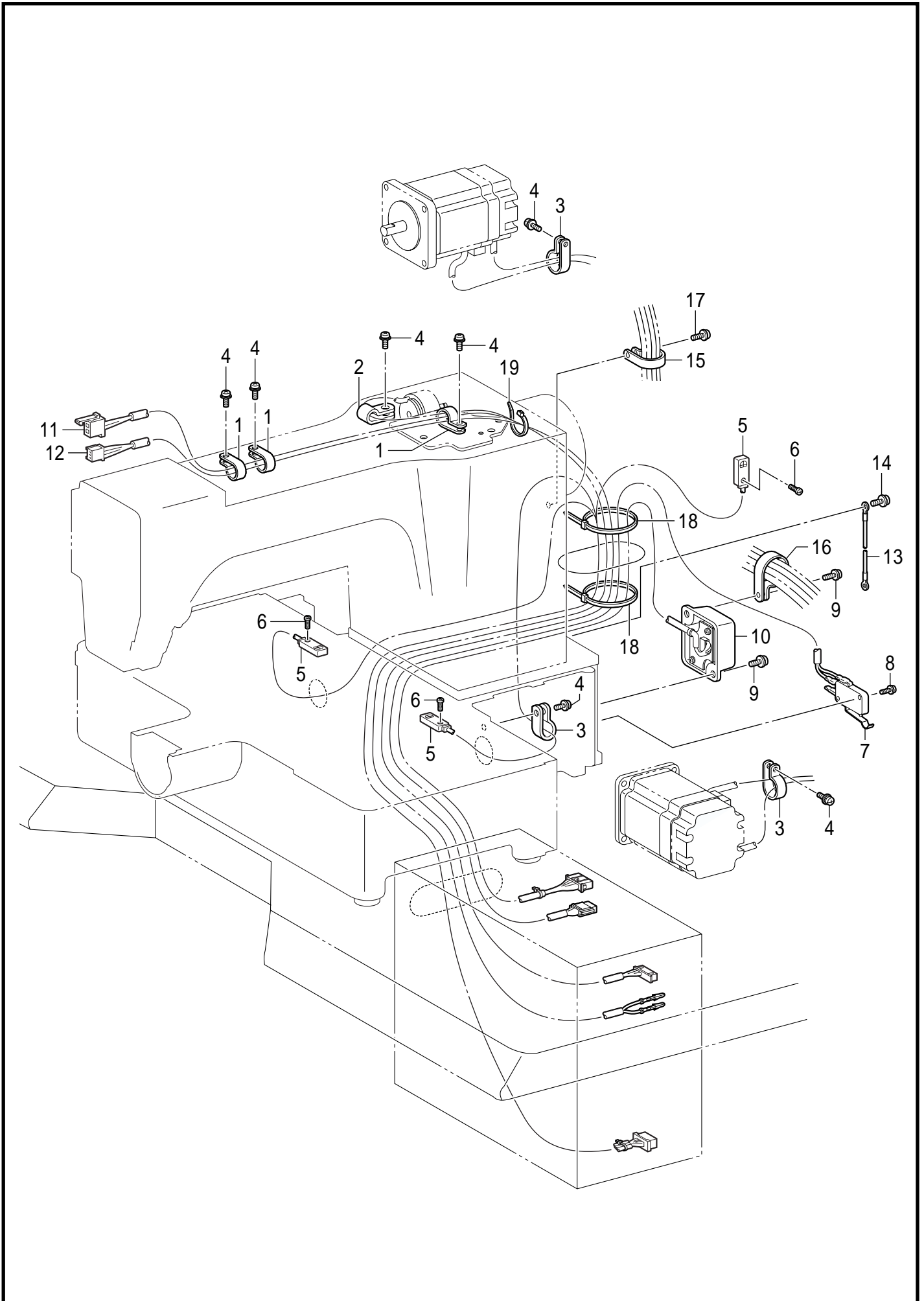
P . 空圧関係 / Air pressure mechanism



P. 空圧関係 / Air pressure mechanism

| REF.NO | CODE | Q'TY | 品名 | NAME OF PARTS | RM |
|--------|-----------|------|-----------------|------------------------------|----|
| | | | <エア-式> | <For Pneumatic type> | |
| 1 | SA5281001 | 1 | デンジバルブ2Aクミ | SOLENOID VALVE ASSY 2A | |
| 2 | SA5289001 | 1 | マニホールド2 | MANIFOLD2 | |
| 3 | S39116100 | 2 | バルブVQZ2151S-5 | VALVE, VQZ2151S-5 | |
| 4 | SA5283001 | 1 | サイレンサ AN103-1 | SILENCER AN103-1 | |
| 5 | SA5282001 | 1 | レギュレータ AW20-02G | FILTER REGULATOR AW20-02G | |
| 6 | S09228000 | 1 | イケイニツプル | NIPPLE 1/4X1/8 | |
| 7 | 153252000 | 1 | PTチ-ズ | PT-JOINT | |
| 8 | S04891000 | 1 | チュウカンニツプル1/4 | MIDDLE NIPPLE, 1/4 | |
| 9 | SA5285001 | 1 | チュウカンニツプル1/4 | MIDDLE NIPPLE 1/4 | |
| 10 | 610012001 | 1 | ボールバルブTK 1/4 | BALL VALVE TK 1/4 | |
| 11 | 153274001 | 2 | 1/8トメセン | CAP, 1/8 | |
| 12 | SA5286001 | 1 | バルブトリツケイタ | SETTING PLATE VALVE | |
| 13 | 028050246 | 2 | バネザガネ2-5 | WASHER SPRING 2-5 | |
| 14 | 018503036 | 2 | アナボルト5X30 | BOLT SOCKET M5X30 | |
| 15 | SA5191001 | 1 | バルブハーネス2レンクミ | VALVE HARNESS X2 ASSY | |
| 16 | 149796001 | 1 | ゴムホ-スカナグツキ | AIR HOSE, W/CONNECTOR | |
| 17 | SA6405001 | 1 | ナイロンチューブR | AIR TUBE, R | |
| 18 | SA6406001 | 1 | ナイロンチューブL | AIR TUBE, L | |
| 19 | SA6407001 | 1 | スパイラル470S | SPIRAL, 470S | |
| 20 | 032422003 | 2 | +2マルモク41X20 | WOOD SCREW, ROUND 2 M4.1X20 | |
| 21 | 148847001 | 2 | ザガネ | WASHER, PLAIN 4.76 | |
| 22 | SA5290001 | 1 | マニホールド5 | MANIFOLD5 | |
| 23 | S53982000 | 3 | ブランキングプレート | BLANKING PLATE ASSY | |
| 24 | SA5288001 | 1 | デンジバルブ5Aクミ | SOLENOID VALVE ASSY 5A | |
| 25 | 525664000 | 1 | コードホルダ#6 | CORD HOLDER, #6 | |
| 26 | 0A5401005 | 1 | +ナベザクミ4X10DB | SCREW PAN (S/P WASHER) M4X10 | |
| 27 | 228475000 | 3 | ケツソクバンド1.9X80 | FASTENING BAND, 1.9X80 | |
| 28 | SA6405002 | 1 | ナイロンチューブR | AIR TUBE, R | |
| 29 | SA6406002 | 1 | ナイロンチューブL | AIR TUBE, L | |

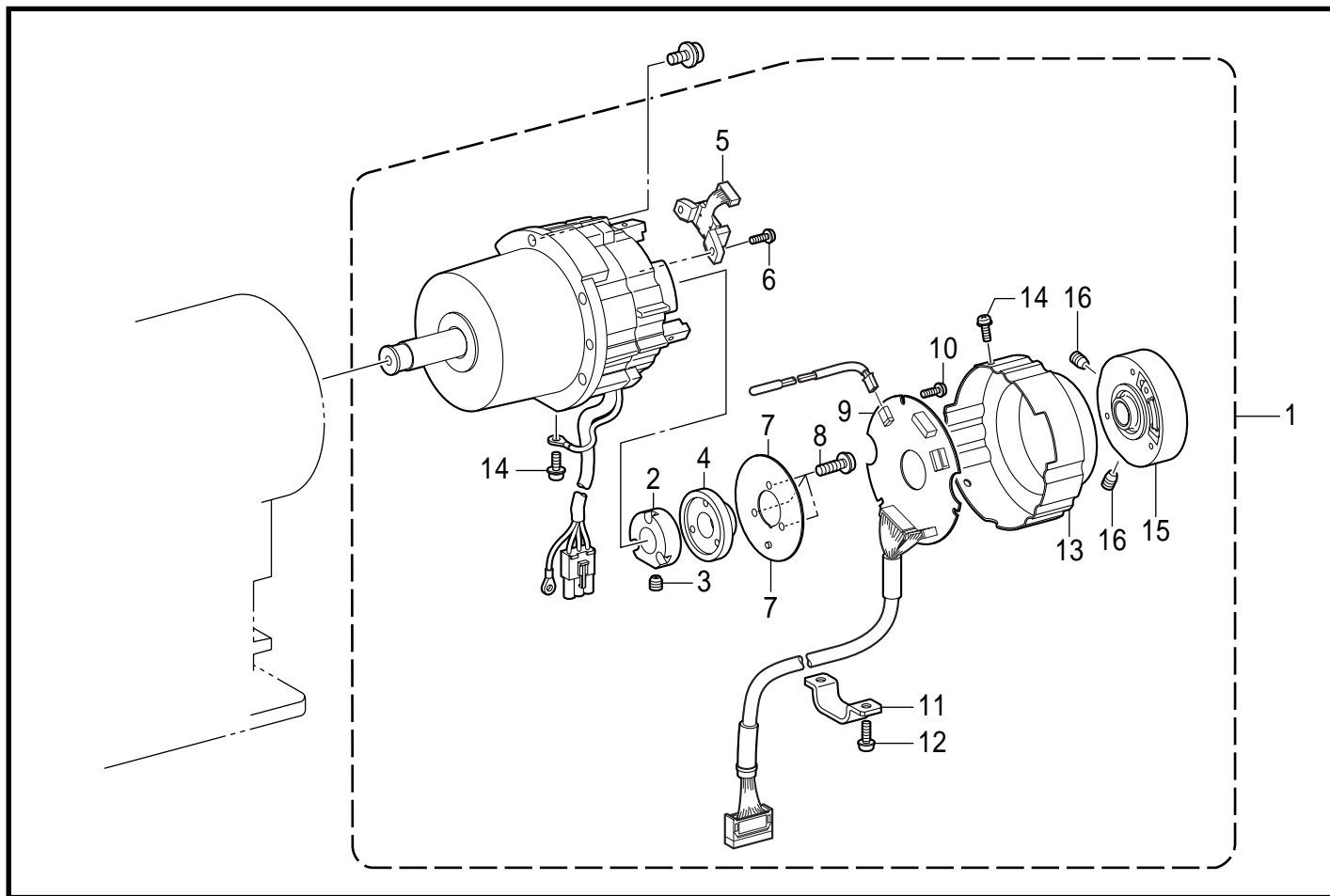
Q . 電装品関係 / Power supply equipment mechanism



Q. 電装品関係 / Power supply equipment mechanism

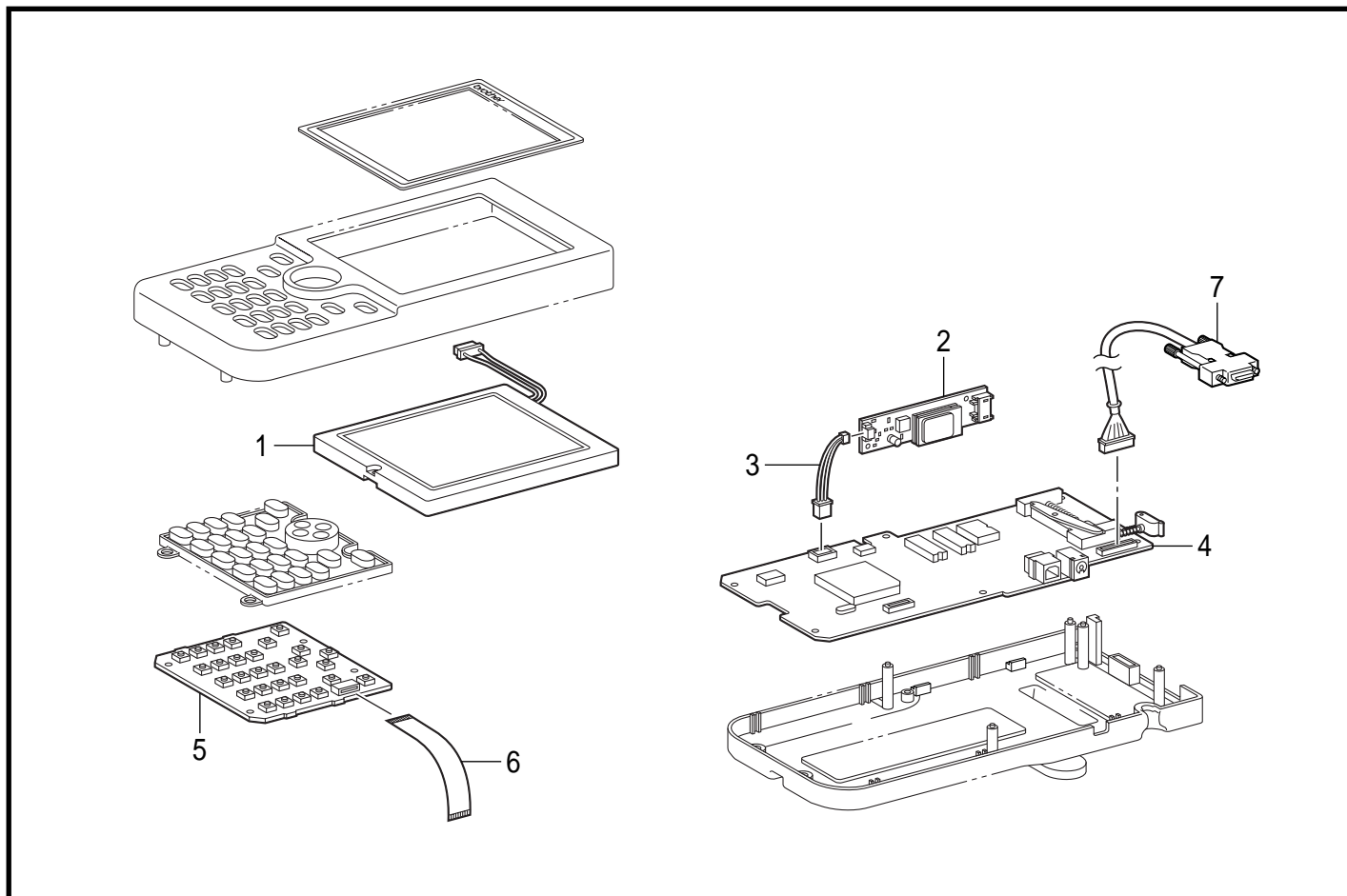
| REF.NO | CODE | Q'TY | 品名 | NAME OF PARTS | RM |
|--------|-----------|------|----------------|-------------------------------|----|
| 1 | 525567000 | 3 | コードホルダ#8 | CORD HOLDER, #8 | |
| 2 | 149547000 | 1 | コードオサエ | CORD HOLDER, 4N | |
| 3 | 149287000 | 3 | ナイロンクランプ | CORD HOLDER, 7N | |
| 4 | 0A5401006 | 7 | +ナベザクミ4X10DB | SCREW PAN (S/P WASHER) M4X10 | |
| 5 | SA4830001 | 1 | ゲンテンセンサクミ | H-POSITION SENSOR ASSY | |
| 6 | 062300816 | 3 | ナベコ3X8 | SCREW PAN M3X8 | |
| 7 | SA3481001 | 1 | トウブSWクミ | SWITCH ASSY, MACHINE HEAD | |
| 8 | 0A5301605 | 2 | +ナベザクミ3X16DB | SCREW PAN (S/P WASHER) M3X16 | |
| 9 | 0A5401006 | 2 | +ナベザクミ4X10DB | SCREW PAN (S/P WASHER) M4X10 | |
| 10 | SA4824001 | 1 | トウブケンシユツユユニット | HEAD DETECTOR UNIT ASSY | |
| 11 | SA5210001 | 1 | イトハライソレノイドハーネス | THREAD WIPER SOLENOID HARNESS | |
| 12 | SA5214001 | 1 | テイシSWハーネス | STOP SWITCH HARNESS | |
| 13 | SA5261001 | 1 | ア-スセン450 | GROUND WIRE 450 | |
| 14 | 0A5401006 | 1 | +ナベザクミ4X10DB | SCREW PAN (S/P WASHER) M4X10 | |
| 15 | 554482000 | 1 | コードホルダ#12 | CORD HOLDER, #12 | |
| 16 | S00470000 | 1 | コードホルダ-#16 | CORD HOLDER, 16N | |
| 17 | 0A5401006 | 2 | +ナベザクミ4X10DB | SCREW PAN (S/P WASHER) M4X10 | |
| 18 | 218859001 | 2 | バインダM150 | BINDER, M150 | |
| 19 | S04159000 | 1 | バインド1M | BAND, 1M | |

R . モータ関係 / Motor mechanism



BAS-311G-650

S . プログラマー関係 / Programmer



BAS-311G-942

R. モータ関係 / Motor mechanism

| REF.NO | CODE | Q'TY | 品名 | NAME OF PARTS | RM |
|--------|-----------|------|----------------|--------------------------------|----|
| 1 | J80991001 | 1 | モータクミCDD-430D | MOTOR ASSY, CDD-430D | |
| 2 | J03955001 | 1 | ドラムコテイCDD | DRUM CDD | |
| 3 | 014400632 | 1 | アナクボミ4X6 | SET SCREW, SOCKET (CP) M4X6 | |
| 4 | J03956001 | 1 | ジシヤク180P36 | MAGNET 180P36 | |
| 5 | J03957001 | 1 | MRセンサクミ180P | MR SENSOR ASSY 180P | |
| 6 | 0A4300805 | 1 | +ナベザクミ3X8DA | SCREW, PAN (S/P WASHER) M3X8 | |
| 7 | J03958001 | 1 | シヤハイイタCDD | SHIELD PLATE CDD | |
| 8 | 0A4261005 | 3 | +ナベザクミ26X10DA | SCREW, PAN (S/P WASHE) M2.6X10 | |
| 9 | J04488001 | 1 | ENCキバンクミ430D#2 | ENC PCB ASSY, 430D#2 | |
| 10 | 0A5300606 | 3 | +ナベザクミ3X6DB | SCREW, PAN (S/P WASHER) M3X6 | |
| 11 | J04230001 | 1 | コードオサエCDD-HT | CORD HOLDER, CDD-HT | |
| 12 | 0A4401005 | 3 | +ナベザクミ4X10DA | SCREW, PAN (S/P WASHE) M4X10 | |
| 13 | J04388001 | 1 | エンコ-ダカバ-430D | ENCODER COVER, 430D | |
| 14 | 0A4300805 | 3 | +ナベザクミ3X8DA | SCREW, PAN (S/P WASHER) M3X8 | |
| 15 | J04303001 | 1 | プ-リダイクミ430D | PULLEY HOLDER ASSY, 430D | |
| 16 | 014500632 | 2 | アナクボミ5X6 | SET SCREW, SOCKET (CP) M5X6 | |

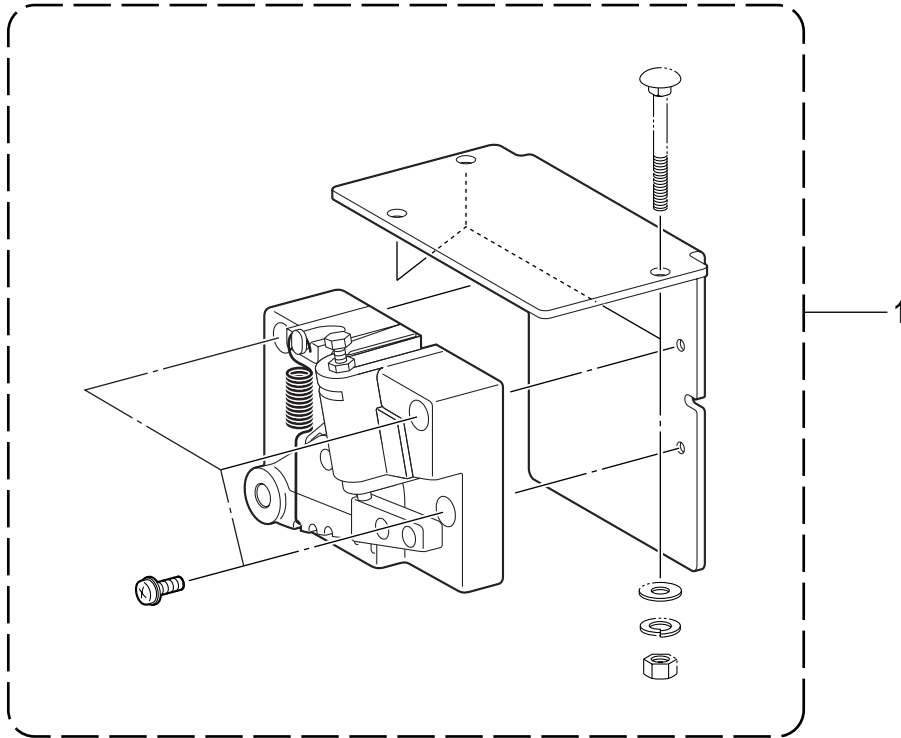
BAS-311G-650

S. プログラマー関係 / Programmer

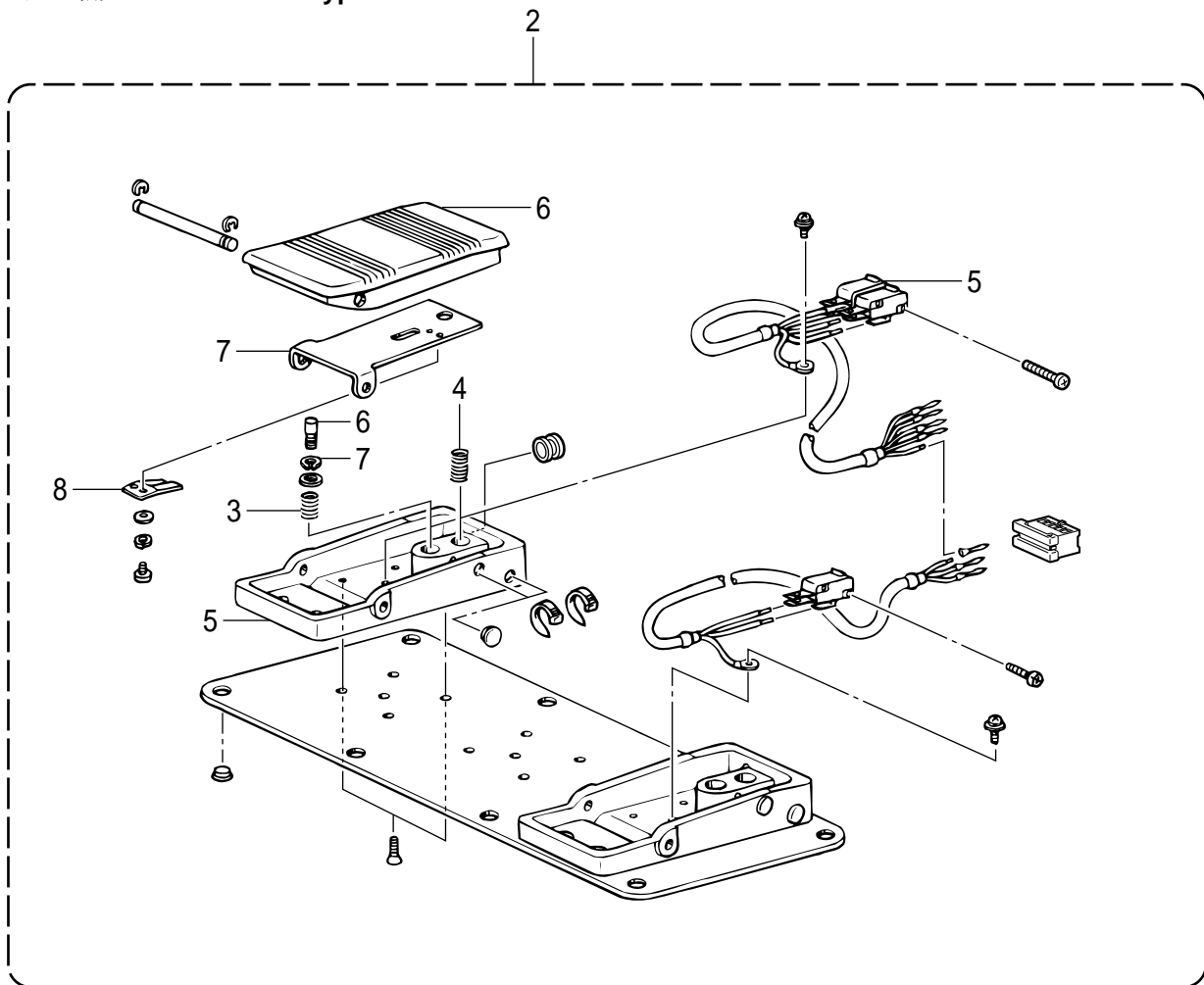
| REF.NO | CODE | Q'TY | 品名 | NAME OF PARTS | RM |
|--------|-----------|------|------------|---------------------|----|
| 1 | SA5164001 | 1 | LCDモジュール | LCD MODULE | |
| 2 | SA5165001 | 1 | LCDインバーター | LCD INVERTER | |
| 3 | SA5166001 | 1 | インバーターハーネス | INVERTER HARNESS | |
| 4 | SA5170001 | 1 | プログラマキバンクミ | PROGRAMMER PCB ASSY | |
| 5 | SA5172001 | 1 | スイッチキバンクミ | SWITCH PCB ASSY | |
| 6 | SA5168001 | 2 | FFCハーネス | FFC:SML2CD | |
| 7 | SA5167001 | 1 | プログラマハーネス | PROGRAMMER HARNESS | |

BAS-311G-942

< 電磁式用 / For solenoid type >



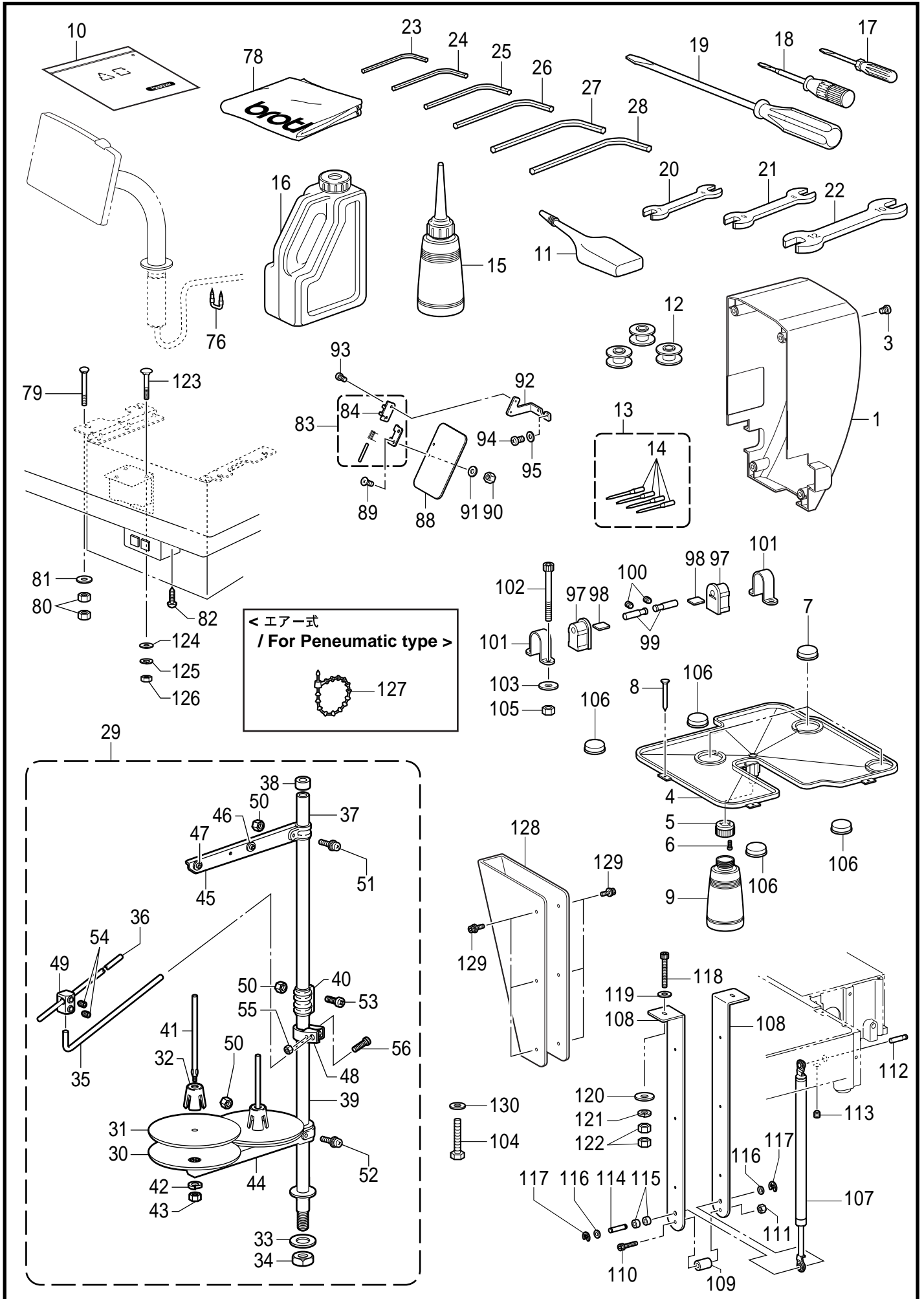
< エア-式用 / For Pneumatic type >



T. 踏板関係 / Foot switch pedal mechanism

| REF.NO | CODE | Q'TY | 品名 | NAME OF PARTS | RM |
|--------|-----------|------|----------------------|--|----|
| 1 | SA3519101 | 1 | <電磁式> フミユニットAクミ | <For Solenoid type> TREADLE UJINT,A ASSY | |
| 2 | SA6038001 | 1 | <エアー式> 2レンフットSWクミ | <For Pneumatic type> 2-PEDAL FOOT SWITCH, SW ASSY | |
| 3 | S38168001 | 1 | アツシユクバネ | SPRING, COMPRESSION 10X30 | |
| 4 | S38170001 | 2 | フットペダルバネ | FOOT PEDAL SPRING | |
| 5 | S36260000 | 3 | スイッチVXピンボタン | PIN BUTTON MICRO SWITCH, VX | |
| 6 | S38174000 | 2 | フットペダル | FOOT PEDAL | |
| 7 | S38175001 | 2 | ペダルホゴイタ | PROTECTION PLATE, PEDAL | |
| 8 | S38176101 | 2 | スイッチオセエバネ | SPRING, PLATE | |

Z. 付属品関係 / Accessories

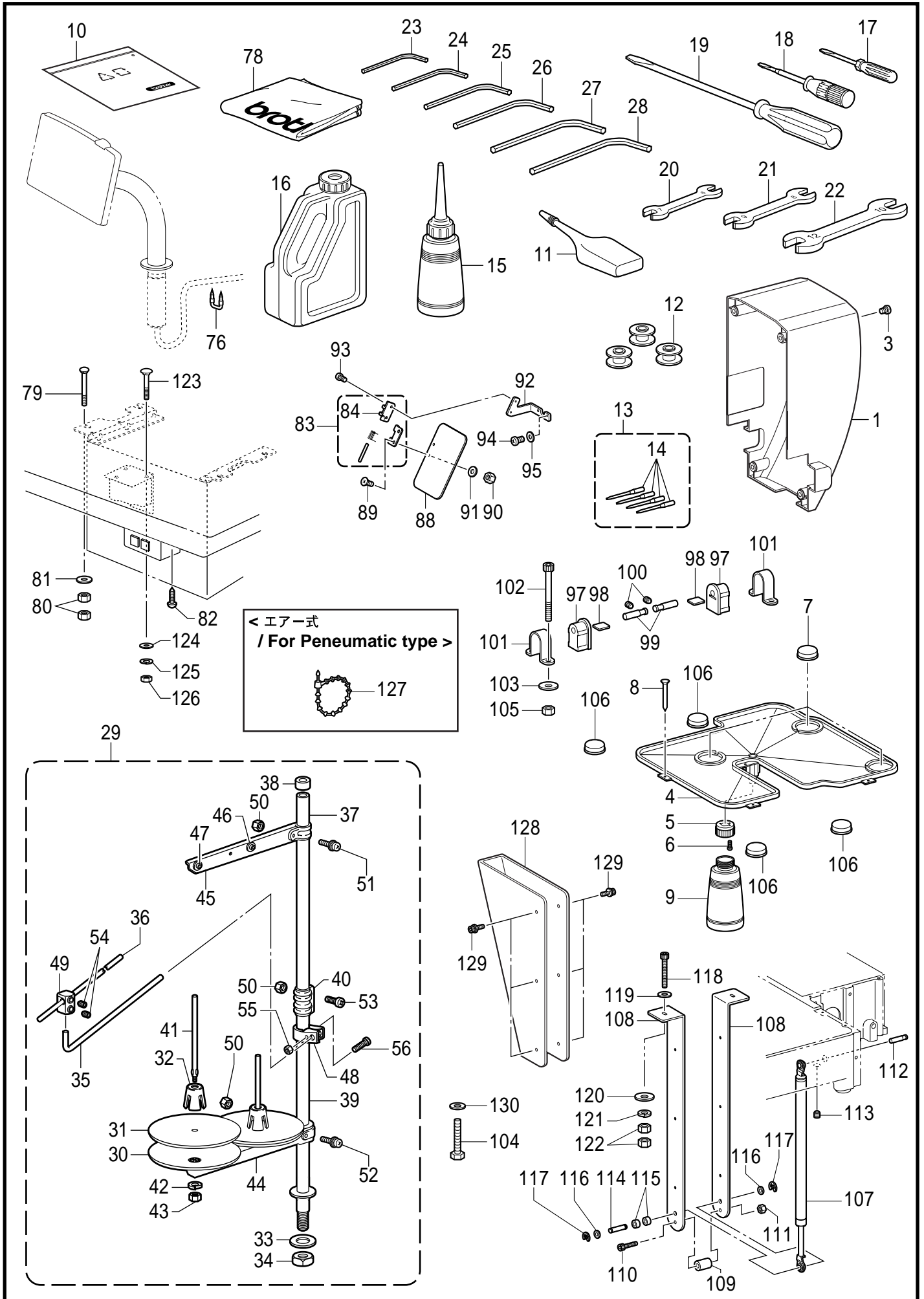


BAS-311G-910

Z. 付属品関係 / Accessories

| REF.NO | CODE | Q'TY | 品名 | NAME OF PARTS | RM |
|--------|-----------|------|---------------|-------------------------------|----|
| 1 | SA4842001 | 1 | モーターカバー | MOTOR COVER | |
| 3 | 062061016 | 4 | ナベコ6X10 | SCREW PAN M6X10 | |
| 4 | SA4844001 | 1 | オイルパン | OIL PAN | |
| 5 | 154467001 | 1 | ハイユキヤツプ | DUST OILER | |
| 6 | 037301215 | 2 | Vナベタツピン3X12 | TAPPING SCREW PAN V M3X12 | |
| 7 | SA3540001 | 3 | クッションゴム | RUBBER CUSHION | |
| 8 | 109714000 | 6 | クギ | NAIL | |
| 9 | 114486002 | 1 | ポリオイラータイ | OILER | |
| 10 | 122991001 | 1 | フゾクヒンポリフクロ | ACCESSORY BAG | |
| 11 | S06706001 | 1 | シリコンオイル | SILICONE OIL | |
| 12 | S15665001 | 3 | ボビンLA | BOBBIN, LA | |
| 13 | * | 1 | ハリ4コイリクミ | NEEDLE 4PIECE ASSY | |
| 14 | * | 4 | ミシンハリ | NEEDLE | |
| 15 | 114483002 | 1 | ポリオイラークミ | OILER ASSY | |
| 16 | S55663001 | 1 | オイルタンククミ | OIL TANK ASSY | |
| 17 | 142443001 | 1 | ネジマワシ1.9X52 | SCREW-DRIVER, 1.9X52 | |
| 18 | 118837001 | 1 | ネジマワシ3.4X70 | SCREW-DRIVER, 3.4X70 | |
| 19 | 101572101 | 1 | ネジマワシ5.5X190 | SCREW-DRIVER, 5.5X190 | |
| 20 | 107779001 | 1 | スパナ6X7 | WRENCH, 6X7 | |
| 21 | 100887001 | 1 | スパナ8X9 | WRENCH, 8X9 | |
| 22 | 107780001 | 1 | スパナ10X12 | WRENCH, 10X12 | |
| 23 | S07783001 | 1 | 6カクボウスパナ1.5 | HEXAGONAL WRENCH, 1.5 | |
| 24 | 142002001 | 1 | 6カクボウスパナ2 | HEXAGONAL WRENCH, 2 | |
| 25 | 154125001 | 1 | 6カクボウスパナ2.5 | HEXAGONAL WRENCH, 2.5 | |
| 26 | 142721001 | 1 | 6カクボウスパナ3 | HEXAGONAL WRENCH, 3 | |
| 27 | 118064001 | 1 | 6カクボウスパナ4 | HEXAGONAL WRENCH, 4 | |
| 28 | 150335001 | 1 | 6カクボウスパナ5 | HEXAGONAL WRENCH, 5 | |
| 29 | S40574209 | 1 | イトタテダイクミ2DTHF | COTTON STAND ASSY, 2DTHF | |
| 30 | S51283001 | 2 | ウケザラ | SPOOL STAND BASE | |
| 31 | 150182000 | 2 | スプ-ルマット | SPOOL MAT | |
| 32 | S51282101 | 2 | スプ-ルクツシヨン | SPOOL CUSHION | |
| 33 | 150206002 | 1 | ヒラザガネ16 | WASHER, PLAIN 16 | |
| 34 | S38648001 | 1 | 6カクナツU5/8 | NUT, U5/8-28 | |
| 35 | S04109001 | 1 | イトアンナイササエボウ | THREAD GUIDE SUPPORT BAR | |
| 36 | 142997001 | 1 | イトアンナイ3 | THREAD GUIDE, 3 | |
| 37 | 150172003 | 1 | コラムパイプ | COLUMN PIPE | |
| 38 | 150174000 | 1 | コラムキャツプ | COLUMN CAP | |
| 39 | 156112003 | 1 | コラムパイプD | COLUMN PIPE, D | |
| 40 | 150173003 | 1 | コラムジョイント | COLUMN JOINT | |
| 41 | 150179002 | 2 | スプ-ルジクB | SPOOL SHAFT, B | |
| 42 | 028050246 | 2 | バネザガネ2-5 | WASHER SPRING 2-5 | |
| 43 | 021500106 | 2 | 1シュナツ5 | NUT 1 M5 | |
| 44 | S02778002 | 1 | スプ-ルホルダ-2 | SPOOL HOLDER, 2 | |
| 45 | S02787002 | 1 | スレツドハンガ-2 | THREAD HANGER, 2 | |
| 46 | 150183000 | 2 | イトカケハンガ-ダイ | THREAD HANGER BASE | |
| 47 | 142990001 | 2 | スレツドブツシユ | THREAD BUSH | |
| 48 | 150185009 | 1 | イトアンナイホルダ- | THREAD GUIDE HOLDER | |
| 49 | 138843001 | 1 | ササエボウツギテ | JOINT | |
| 50 | 021500106 | 4 | 1シュナツ5 | NUT 1 M5 | |
| 51 | S37038001 | 1 | ナベコヒラザ5X14 | SCREW, PAN(S/P WASHER) M5X14 | |
| 52 | S37037001 | 1 | ナベコヒラザ5X32 | SCREW, PAN (S/P WASHER) M5X32 | |
| 53 | 062501406 | 2 | ナベコ5X14 | SCREW PAN M5X14 | |
| 54 | 014060632 | 2 | アナクボミ6X6 | SET SCREW SOCKET (CP) M6X6 | |
| 55 | 021500106 | 1 | 1シュナツ5 | NUT 1 M5 | |
| 56 | S37037001 | 1 | ナベコヒラザ5X32 | SCREW, PAN (S/P WASHER) M5X32 | |

Z. 付属品関係 / Accessories









BAS-311G-910

Z. 付属品関係 / Accessories

| REF.NO | CODE | Q'TY | 品名 | NAME OF PARTS | RM |
|--------|-----------|------|-------------------|-----------------------------------|----|
| 76 | 200190001 | 7 | ステツプル 10X20 | STAPLE,10X20 | |
| 78 | 144226001 | 1 | トウブカバー | HEAD COVER | |
| 79 | S36007001 | 4 | カクネボルト8X55 | BOLT, M8X55 | |
| 80 | 021080106 | 8 | 1シュナット8 | NUT 1 M8 | |
| 81 | 025080336 | 4 | ヒラザガネダイ8 | WASHER PLAIN L 8 | |
| 82 | 032461606 | 2 | +2マルモク45X16 | WOOD SCREW ROUND 2 M4.5X16 | |
| 83 | S44483001 | 1 | チヨウバンクミ | HINGE ASSY | |
| 84 | S44484001 | 1 | アイガードヒンジ | EYE GUARD HINGE | |
| 88 | S44485001 | 1 | アイガード | EYE GUARD | |
| 89 | 061300816 | 2 | サラコ3X8 | SCREW FLAT M3X8 | |
| 90 | 021300106 | 2 | 1シュナット3 | NUT 1 M3 | |
| 91 | 026030236 | 2 | ヒラザガネミガキ3 | WASHER PLAIN M 3 | |
| 92 | SA4104001 | 1 | アイガードホルダ-A | EYE GUARD HOLDER, A | |
| 93 | 062300506 | 2 | ナベコ3X5 | SCREW PAN M3X5 | |
| 94 | 062400616 | 2 | ナベコ4X6 | SCREW PAN M4X6 | |
| 95 | 026040136 | 2 | ヒラザガネコガタ4 | WASHER PLAIN S 4 | |
| 97 | SA3395001 | 2 | トウブヒンジゴム | RUBBER CUSHION | |
| 98 | SA3392001 | 2 | スペーサ | SPACER | |
| 99 | SA3384001 | 2 | トウブササエピン | PIN | |
| 100 | 012060636 | 2 | アナヒラ6X6 | SET SCREW SOCKET (FT) M6X6 | |
| 101 | SA3385001 | 2 | トウブヒンジウケ | HINGE HOLDER | |
| 102 | 018065036 | 4 | アナボルト6X50 | BOLT SOCKET M6X50 | |
| 103 | 213650001 | 4 | ワ2.3X8.5X38ST | WASHER, 2.3X8.5X38ST | |
| 104 | 017066002 | 1 | ボルト6X60 | BOLT M6X60 | |
| 105 | 021060106 | 4 | 1シュナット6 | NUT 1 M6 | |
| 106 | SA3540001 | 4 | クッションゴム | RUBBER CUSHION | |
| 107 | SA4845001 | 1 | ガススプリング | SHOCK ABSORBER GAS | |
| 108 | SA4846001 | 2 | ガススプリングササエ | HOLDER ABSORBER | |
| 109 | SA5251001 | 1 | スペーサ | SPACER | |
| 110 | 018064031 | 1 | アナボルト6X40 | BOLT SOCKET M6X40 | |
| 111 | 021060106 | 1 | 1シュナット6 | NUT 1 M6 | |
| 112 | SA4847001 | 1 | ガススプリングジクU | SHAFT U | |
| 113 | 012060636 | 1 | アナヒラ6X6 | SET SCREW SOCKET (FT) M6X6 | |
| 114 | S17974001 | 1 | ガススプリングジクD | SHAFT, D | |
| 115 | S17975100 | 2 | GSジクカラ | SHAFT COLLAR, GAS | |
| 116 | 025080132 | 2 | ヒラザガネショウ8 | WASHER PLAIN S 8 | |
| 117 | 048060342 | 2 | トメワE6 | RETAINING RING E6 | |
| 118 | SA3387001 | 2 | アナボルト6X75 | BOLT SOCKET M6X75 | |
| 119 | 025060236 | 2 | ヒラザガネチュウ6 | WASHER PLAIN M 6 | |
| 120 | 213650001 | 2 | ワ2.3X8.5X38ST | WASHER, 2.3X8.5X38ST | |
| 121 | 028060246 | 2 | バネザガネ2-6 | WASHER SPRING 2-6 | |
| 122 | 021060106 | 4 | 1シュナット6 | NUT 1 M6 | |
| 123 | 119755001 | 3 | カクネボルト6X60 | BOLT, M6X60 | |
| 124 | 025060236 | 3 | ヒラザガネチュウ6 | WASHER PLAIN M 6 | |
| 125 | 028060246 | 3 | バネザガネ2-6 | WASHER SPRING 2-6 | |
| 126 | 021060106 | 3 | 1シュナット6 | NUT 1 M6 | |
| 127 | 340400001 | 1 | <エアー式> ユニタイバンド | <For Pneumatic type> BEAD BAND | |
| 128 | SA6261001 | 1 | ガススプリングササエカバー | HOLDER ABSORBER COVER | |
| 129 | S55479001 | 6 | アナボルトザクミ4X8 | BOLT SOCKET (S/P WASHER) M4X8 | |
| 130 | 025060236 | 1 | ヒラザガネチュウ6 | WASHER PLAIN M6 | |

Wa. 警告ラベル / Warning labels

| 警告ラベル / Warning labels | 品名 / Name of parts | Size(mm) | Code |
|---|---|---------------|------------|
|  | <p>ラベル感電6ヶ国 Label, elec. shock 6 lang</p> | 50 X 118 | J04115-001 |
|  | <p>ラベル注意・和英 Label, caution Jpn / Eng</p> | 64 X 40 | SA2040-001 |
|  | <p>ラベル注意・中英 Label, caution Chn / Eng</p> | 64 X 40 | SA2041-001 |
|  | <p>ワーニングマーク Mark, injury</p> | L=16 R=0.8 | S36924-001 |
|  | <p>アースマーク Label, grounding</p> | φ 12 | S37060-001 |
|  | <p>PE マーク Label, PE</p> | 7.5 X 12.5 | S37059-001 |

BAS-311G-Wa

Sp . 仕様別部品一覧表 / Different parts list

KE-430D には下記部品が用意されていますので幅広い用途にご活用ください。











The following are standard gauge parts according to each specification.

◎表中★の部品は、KE-430D(本縫電子閉止ミシン)、BE-438D(本縫電子ボタン付けミシン)と共通です。

◎In the following table, parts marked with ★ are common with the KE-430D (Electronic Lockstitch Tacker) & BE-438D (Electronic Lockstitch Button sewer).

◎表中☆の部品は、BAS-311F(プログラム式電子ミシン)と共通です。

◎In the following table, parts marked with ☆ are common with the BAS-311F (Electronic program Lock Stitcher) .

| 品名 Part name | 仕様 Spec. | 厚物 Heavy-weight materials | 中厚物 Medium-weight materials |
|---|-------------|---------------------------------|-----------------------------------|
| (J-66) 針穴板 Needle hole plate  | | ★ (φ2.4) SA3336-101 | (φ2.2) SA5221-001 |
| (E-35) ボビンケース組 Bobbin case assy  | | S59221-201 < LC > | |
| (E-36) ボビンケース調子ばね Tension spring  | | S48664-001 | |
| (E-37) ボビンケースばねねじ Screw  | | S16492-101 | |
| (E-38) 空転防止ばね Anti-spin spring  | | S15667-001 | |
| (E-39) ボビン Bobbin  | | S15665-001 < LA > | |
| (E-42) 中がま箱組 Shuttle hook assy, w/box  | | ★ ☆ SA1890-201 < LG > | ★ ☆ SA2173-201 < LF > |
| (E-34) 大がま Shuttle race base  | | ★ ☆ 152686-201 < B > | ★ ☆ 152682-201 < A > |
| (G-30) 糸調子ばね Spring,tension  | | ★ ☆ 107606-001 | ★ ☆ 104525-001 |
| (G-9) 糸取りばね Thread take-up spring  | | ★ ☆ 144588-101 | ★ ☆ 145519-101 |






Sp . 仕様別部品一覧表 / Different parts list

◎表中★の部品は、KE-430D(本縫電子門止ミシン)、BE-438D(本縫電子ボタン付けミシン)と共通です。

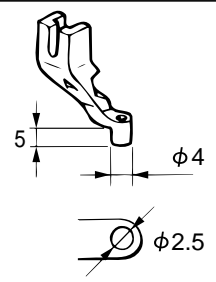
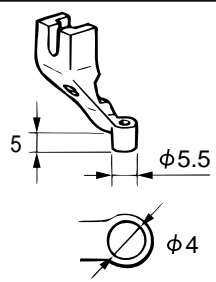
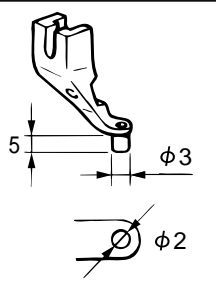
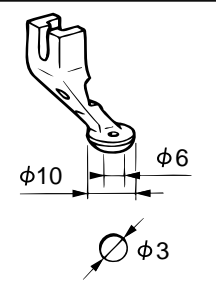
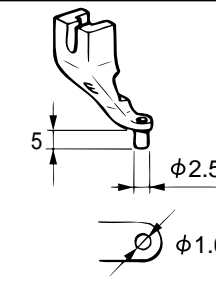
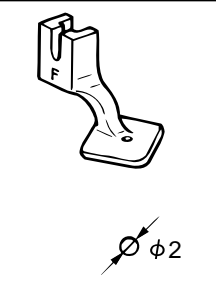
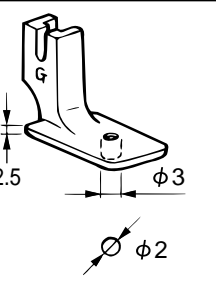
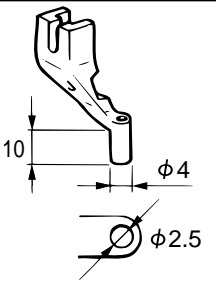
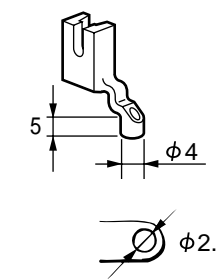
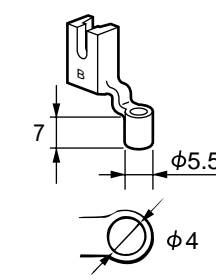
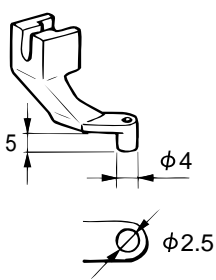
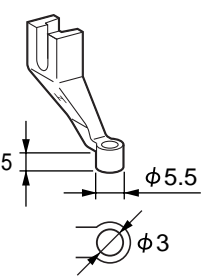
◎In the following table, parts marked with ★ are common with the KE-430D (Electronic Lockstitch Tacker) & BE-438D (Electronic Lockstitch Button sewer).

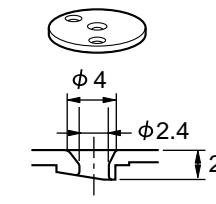
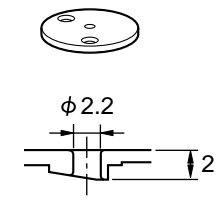
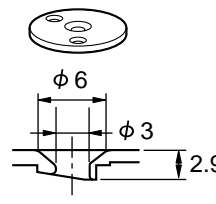
◎表中☆の部品は、BAS-311F(プログラム式電子ミシン)と共通です。

◎In the following table, parts marked with ☆ are common with the BAS-311F (Electronic program Lock Stitcher) .

| 品名 Part name | 仕様 Spec. | 厚物 Heavy-weight materials | 中厚物 Medium-weight materials | |
|--|--|---------------------------------|-----------------------------------|-----|
| (G-28) 副調子ばね Spring,tension |  | SA4146-001 | | ★ |
| (G-20) 針棒糸案内 Needle bar thread guide |  A  B | SA3257-101 < A > | | ★ |
| (Z-13) ミシン針4個入り組 Needle assy | | SA1645-019 | SA1752-016 | ★ ☆ |
| (B-32, Z-14) 針 Needle |  | DP×17 < #19 > 145646-019 | DP×5 < #16 > 107415-016 | ★ ☆ |
| (D-57) 押え足 Presser foot |  | SA4811-001 < H > | | |

Ga . ゲージ部品一覧表 / Gauge parts list

| 押え足 / Presser foot | | | |
|--|--|---|--|
| A / S42843-001 | B / S42844-001 | C / S42845-001 | D / S42846-001 |
|  |  |  |  |
| E / S42847-001 | F / 157237-001 | G / 158592-001 | J / S42848-001 |
|  |  |  |  |
| A-CUT / S40214-001 | B-L / S49448-001 | XA / S42849-101 | H / SA4811-001 * |
|  |  |  |  |

| 針穴板 / Needle hole plate | | |
|---|---|--|
| 2.4 C0.4 / SA3336-001 * | 2.2 / SA5221-001 * | 3.0 C1.5 / SA5222-001 * |
|  |  |  |

BAS-311G-Ga

* 印の部品は、標準部品です。

The * symbol is for Standard parts.

索引 / INDEX

| CODE | REF.NO | Page | CODE | REF.NO | Page | CODE | REF.NO | Page | CODE | REF.NO | Page |
|-----------|--------|------|-----------|--------|------|-----------|--------|------|-----------|--------|------|
| 004300513 | A -16 | 2 | 012501031 | C4 -34 | 14 | 021060306 | J -32 | 30 | 048050342 | H -19 | 28 |
| 012060536 | B -52 | 4 | 014060632 | Z -54 | 50 | | J -41 | 30 | 048060142 | C4 -9 | 14 |
| | C3 -14 | 12 | 014400632 | R -3 | 46 | 021080106 | Z -80 | 52 | 048060342 | Z -117 | 52 |
| | C3 -32 | 12 | 014500632 | R -16 | 46 | 021300103 | A -19 | 2 | 048070342 | E -31 | 22 |
| | C4 -19 | 14 | 016061031 | D2 -32 | 18 | 021300106 | Z -90 | 52 | 048080142 | C3 -11 | 12 |
| | D1 -55 | 16 | | D2 -36 | 18 | 021400216 | C2 -37 | 8 | | C3 -29 | 12 |
| | E -6 | 22 | | D3 -15 | 20 | 021400306 | L -6 | 36 | | C4 -16 | 14 |
| 012060636 | B -24 | 4 | 017061216 | D1 -12 | 16 | 021500106 | N -16 | 40 | | D1 -29 | 16 |
| | B -48 | 4 | 017066002 | D1 -45 | 16 | | Z -43 | 50 | | J -44 | 30 |
| | C1 -19 | 6 | | Z -104 | 52 | | Z -50 | 50 | 048080342 | C2 -8 | 8 |
| | C1 -29 | 6 | 017400802 | J -5 | 30 | | Z -55 | 50 | | D2 -12 | 18 |
| | C2 -3 | 8 | | L -2 | 36 | 021500216 | C3 -23 | 12 | 048100142 | C1 -17 | 6 |
| | C2 -6 | 8 | 017401415 | L -5 | 36 | | C3 -47 | 12 | | C3 -3 | 12 |
| | C2 -10 | 8 | 017501616 | C3 -51 | 12 | | C4 -30 | 14 | | D2 -28 | 18 |
| | C2 -16 | 8 | | C4 -40 | 14 | | C4 -35 | 14 | | D3 -11 | 20 |
| | C2 -54 | 8 | 018061236 | D2 -59 | 18 | 025030236 | J -65 | 32 | 048420242 | C1 -21 | 6 |
| | C2 -59 | 8 | | D3 -29 | 20 | | J -72 | 32 | 060400516 | K -21 | 34 |
| | C3 -10 | 12 | 018062036 | C2 -1 | 8 | 025040236 | C1 -36 | 6 | 061300616 | C1 -6 | 6 |
| | C3 -19 | 12 | 018064031 | Z -110 | 52 | | D2 -30 | 18 | | C1 -8 | 6 |
| | C3 -28 | 12 | 018065036 | Z -102 | 52 | | D3 -13 | 20 | | C1 -34 | 6 |
| | C4 -3 | 14 | 018081636 | N -14 | 40 | | J -7 | 30 | 061300816 | Z -89 | 52 |
| | C4 -15 | 14 | 018300636 | C1 -5 | 6 | | K -10 | 34 | 062060816 | F -33 | 24 |
| | D1 -14 | 16 | 018301436 | C1 -3 | 6 | | L -4 | 36 | 062061016 | A -7 | 2 |
| | D1 -24 | 16 | 018400636 | D2 -39 | 18 | 025050236 | C1 -24 | 6 | | A -9 | 2 |
| | D1 -30 | 16 | | D3 -18 | 20 | | C3 -35 | 12 | | A -13 | 2 |
| | D1 -36 | 16 | | N -8 | 40 | | C3 -52 | 12 | | F -3 | 24 |
| | D2 -10 | 18 | 018400836 | C1 -10 | 6 | | C4 -41 | 14 | | H -37 | 28 |
| | D2 -13 | 18 | | C1 -13 | 6 | | L -13 | 36 | | Z -3 | 50 |
| | D2 -25 | 18 | | C2 -21 | 8 | | N -13 | 40 | 062300416 | C2 -48 | 8 |
| | D2 -33 | 18 | | D1 -48 | 16 | 025050336 | N -17 | 40 | | J -64 | 32 |
| | D2 -37 | 18 | | K -9 | 34 | 025060236 | Z -119 | 52 | | J -73 | 32 |
| | D2 -41 | 18 | 018401036 | B -51 | 4 | | Z -124 | 52 | 062300506 | A -38 | 2 |
| | D2 -57 | 18 | | C2 -52 | 8 | | Z -130 | 52 | | Z -93 | 52 |
| | D3 -8 | 20 | | C2 -57 | 8 | 025080132 | Z -116 | 52 | 062300616 | E -22 | 22 |
| | D3 -16 | 20 | | D2 -2 | 18 | 025080336 | Z -81 | 52 | | K -7 | 34 |
| | D3 -20 | 20 | | D2 -23 | 18 | 025100132 | C1 -16 | 6 | 062300816 | Q -6 | 44 |
| | D3 -34 | 20 | | D3 -6 | 20 | 025350332 | A -35 | 2 | 062350616 | H -8 | 28 |
| | D3 -35 | 20 | | F -10 | 24 | 026030136 | E -21 | 22 | 062400416 | C2 -28 | 8 |
| | E -9 | 22 | 018401636 | B -27 | 4 | 026030236 | Z -91 | 52 | | C2 -49 | 8 |
| | E -13 | 22 | 018402036 | C1 -31 | 6 | 026040136 | Z -95 | 52 | | D1 -20 | 16 |
| | E -30 | 22 | | C1 -35 | 6 | 028030246 | J -71 | 32 | | D2 -5 | 18 |
| | G -23 | 26 | | C1 -39 | 6 | 028040246 | C1 -37 | 6 | 062400616 | D1 -6 | 16 |
| | J -45 | 30 | | C2 -23 | 8 | | J -6 | 30 | | D2 -29 | 18 |
| | J -54 | 30 | 018500836 | C3 -34 | 12 | | L -3 | 36 | | D2 -54 | 18 |
| | Z -100 | 52 | 018501036 | D2 -20 | 18 | 028050246 | C3 -36 | 12 | | D2 -56 | 18 |
| | Z -113 | 52 | | D3 -3 | 20 | | C3 -53 | 12 | | D3 -12 | 20 |
| 012400436 | D1 -25 | 16 | 018501232 | E -33 | 22 | | C4 -42 | 14 | | D3 -27 | 20 |
| | D1 -31 | 16 | | J -48 | 30 | | J -49 | 30 | | F -5 | 24 |
| | H -17 | 28 | 018501636 | B -3 | 4 | | P -13 | 42 | | F -12 | 24 |
| | H -24 | 28 | | B -49 | 4 | | Z -42 | 50 | | F -35 | 24 |
| | J -9 | 30 | | C1 -23 | 6 | 028060246 | Z -121 | 52 | | Z -94 | 52 |
| 012500536 | B -21 | 4 | 018503036 | P -14 | 42 | | Z -125 | 52 | 062400816 | B -22 | 4 |
| | B -36 | 4 | 021060106 | D1 -10 | 16 | 032422003 | P -20 | 42 | 062401006 | A -24 | 2 |
| | B -43 | 4 | | D1 -46 | 16 | 032461606 | Z -82 | 52 | | B -34 | 4 |
| | D2 -46 | 18 | | J -23 | 30 | 037301215 | Z -6 | 50 | | B -46 | 4 |
| | D2 -51 | 18 | | J -34 | 30 | 047401242 | B -41 | 4 | | C2 -27 | 8 |
| | D3 -25 | 20 | | J -39 | 30 | 048030342 | K -19 | 34 | 062401216 | H -13 | 28 |
| | E -11 | 22 | | Z -105 | 52 | 048040142 | C3 -6 | 12 | 062500616 | G -2 | 26 |
| | E -41 | 22 | | Z -111 | 52 | 048040342 | J -20 | 30 | | G -4 | 26 |
| | H -3 | 28 | | Z -122 | 52 | | K -12 | 34 | | G -6 | 26 |
| | H -36 | 28 | | Z -126 | 52 | | L -12 | 36 | | H -30 | 28 |
| 012501031 | C3 -46 | 12 | 021060306 | D1 -41 | 16 | 048050142 | C4 -6 | 14 | 062501406 | Z -53 | 50 |
| | C4 -29 | 14 | | J -25 | 30 | 048050342 | H -10 | 28 | 062670412 | G -26 | 26 |

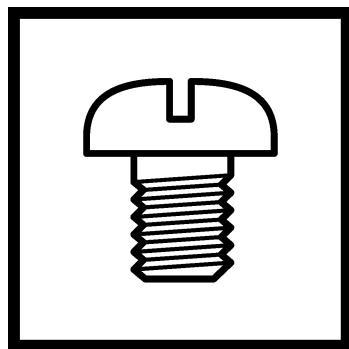
| CODE | REF.NO | Page | CODE | REF.NO | Page | CODE | REF.NO | Page | CODE | REF.NO | Page |
|-----------|--------|------|-----------|--------|------|-----------|--------|------|-----------|--------|------|
| 070696800 | D2 -44 | 18 | 142002001 | Z -24 | 50 | 213650001 | Z -103 | 52 | S17974001 | Z -114 | 52 |
| | D2 -49 | 18 | 142211001 | B -25 | 4 | | Z -120 | 52 | S17975100 | Z -115 | 52 |
| | D3 -23 | 20 | 142274101 | F -47 | 24 | 218859001 | Q -18 | 44 | S20164001 | A -33 | 2 |
| 076000600 | C1 -15 | 6 | 142443001 | Z -17 | 50 | 228475000 | P -27 | 42 | S20356001 | C1 -26 | 6 |
| 076806606 | C1 -20 | 6 | 142721001 | Z -26 | 50 | 231071001 | J -27 | 30 | | D2 -11 | 18 |
| 081003670 | E -15 | 22 | 142990001 | Z -47 | 50 | 340400001 | Z -127 | 52 | | D2 -52 | 18 |
| 081007070 | L -17 | 36 | 142997001 | Z -36 | 50 | 525567000 | F -39 | 24 | S23418001 | C2 -62 | 10 |
| 0A4261005 | R -8 | 46 | 144226001 | Z -78 | 52 | | F -55 | 24 | S23418002 | H -15 | 28 |
| 0A4300805 | R -6 | 46 | 144458001 | B -29 | 4 | | Q -1 | 44 | S23651001 | B -11 | 4 |
| | R -14 | 46 | 144588101 | Sp | 54 | 525664000 | F -41 | 24 | | B -14 | 4 |
| 0A4401005 | R -12 | 46 | 145446001 | G -13 | 26 | | P -25 | 42 | | B -17 | 4 |
| 0A5300606 | R -10 | 46 | | G -18 | 26 | 537060001 | M1 -12 | 38 | | B -44 | 4 |
| 0A5301605 | Q -8 | 44 | | H -32 | 28 | 554482000 | Q -15 | 44 | | B -8 | 4 |
| 0A5401005 | P -26 | 42 | 145465001 | B -23 | 4 | 610012001 | P -10 | 42 | | D1 -5 | 16 |
| 0A5401006 | C2 -33 | 8 | 145519101 | Sp | 54 | 616167001 | M2 -12 | 40 | | D1 -15 | 16 |
| | F -40 | 24 | 145547001 | F -34 | 24 | 623033000 | D1 -4 | 16 | | E -8 | 22 |
| | F -42 | 24 | 145646019 | Sp | 55 | J03955001 | R -2 | 46 | | H -39 | 28 |
| | F -45 | 24 | 146288001 | K -22 | 34 | J03956001 | R -4 | 46 | | J -2 | 30 |
| | Q -4 | 44 | 146354002 | J -50 | 30 | J03957001 | R -5 | 46 | | J -26 | 30 |
| | Q -9 | 44 | 148847001 | P -21 | 42 | J03958001 | R -7 | 46 | S23849001 | C2 -36 | 8 |
| | Q -14 | 44 | 149097000 | K -16 | 34 | J04115001 | M1 -11 | 38 | | C3 -38 | 12 |
| | Q -17 | 44 | 149287000 | Q -3 | 44 | | Wa | 53 | | C4 -21 | 14 |
| 100136001 | G -27 | 26 | 149547000 | F -38 | 24 | J04230001 | R -11 | 46 | S25235001 | B -15 | 4 |
| 100360003 | J -67 | 32 | | Q -2 | 44 | J04303001 | R -15 | 46 | S25279001 | K -14 | 34 |
| 100401021 | H -33 | 28 | 149796001 | P -16 | 42 | J04388001 | R -13 | 46 | S25310101 | D1 -37 | 16 |
| 100402004 | G -14 | 26 | 150172003 | Z -37 | 50 | J04488001 | R -9 | 46 | | J -68 | 32 |
| 100887001 | Z -21 | 50 | 150173003 | Z -40 | 50 | J80991001 | R -1 | 46 | S25454001 | K -13 | 34 |
| 101572101 | Z -19 | 50 | 150174000 | Z -38 | 50 | S00470000 | Q -16 | 44 | S25456001 | K -4 | 34 |
| 102630001 | D2 -8 | 18 | 150179002 | Z -41 | 50 | S00705001 | J -61 | 32 | S25475101 | J -33 | 30 |
| 102707002 | L -7 | 36 | 150182000 | Z -31 | 50 | S02429201 | E -17 | 22 | S25634101 | N -12 | 40 |
| 104449001 | A -11 | 2 | 150183000 | Z -46 | 50 | S02445001 | A -34 | 2 | S31032001 | G -11 | 26 |
| 104525001 | Sp | 54 | 150185009 | Z -48 | 50 | S02652001 | J -11 | 30 | | H -34 | 28 |
| 104567101 | F -18 | 24 | 150206002 | Z -33 | 50 | S02778002 | Z -44 | 50 | S32462001 | D1 -44 | 16 |
| 104821001 | A -5 | 2 | 150335001 | Z -28 | 50 | S02787002 | Z -45 | 50 | | J -24 | 30 |
| | D3 -31 | 20 | 152682201 | Sp | 54 | S02877000 | F -28 | 24 | | J -31 | 30 |
| 107415016 | Sp | 55 | 152684101 | E -20 | 22 | S03677001 | K -23 | 34 | | J -40 | 30 |
| 107606001 | Sp | 54 | 152686201 | Sp | 54 | S04109001 | Z -35 | 50 | S32465001 | J -22 | 30 |
| 107779001 | Z -20 | 50 | 152744001 | D2 -7 | 18 | S04159000 | J -12 | 30 | | J -38 | 30 |
| 107780001 | Z -22 | 50 | 152881001 | G -22 | 26 | | L -10 | 36 | S32557001 | E -43 | 22 |
| 109714000 | Z -8 | 50 | 152883000 | G -24 | 26 | | Q -19 | 44 | S35079000 | D2 -35 | 18 |
| 109763003 | D2 -45 | 18 | 152884001 | G -25 | 26 | S04891000 | P -8 | 42 | S36007001 | Z -79 | 52 |
| | D2 -50 | 18 | 152936001 | H -6 | 28 | S06706001 | Z -11 | 50 | S36260000 | T -5 | 48 |
| | D3 -24 | 20 | 152937001 | H -7 | 28 | S07350002 | A -28 | 2 | S36475000 | A -29 | 2 |
| 110367001 | B -18 | 4 | 152948001 | F -20 | 24 | S07459100 | F -15 | 24 | S36924001 | A -30 | 2 |
| | C3 -12 | 12 | 153049001 | G -7 | 26 | | F -16 | 24 | | Wa | 53 |
| | C3 -30 | 12 | 153050000 | E -23 | 22 | | F -22 | 24 | S37037001 | Z -52 | 50 |
| | C4 -17 | 14 | | F -27 | 24 | | F -29 | 24 | | Z -56 | 50 |
| 110735001 | K -18 | 34 | 153252000 | P -7 | 42 | S07783001 | Z -23 | 50 | S37038001 | Z -51 | 50 |
| 111466101 | D1 -56 | 16 | 153274001 | P -11 | 42 | S07810000 | F -53 | 24 | S37059001 | M1 -13 | 38 |
| 114483002 | Z -15 | 50 | 154125001 | Z -25 | 50 | S09228000 | P -6 | 42 | | Wa | 53 |
| 114486002 | Z -9 | 50 | 154467001 | Z -5 | 50 | S10112001 | D1 -52 | 16 | S37060001 | A -32 | 2 |
| 117608001 | A -2 | 2 | 154596000 | J -30 | 30 | S10268001 | H -27 | 28 | | Wa | 53 |
| 117934001 | A -4 | 2 | 154599000 | J -10 | 30 | S10408000 | N -15 | 40 | S38168001 | T -3 | 48 |
| 118064001 | Z -27 | 50 | | L -8 | 36 | S10438001 | H -18 | 28 | S38170001 | T -4 | 48 |
| 118208001 | D2 -14 | 18 | 156112003 | Z -39 | 50 | S10470101 | K -20 | 34 | S38174000 | T -6 | 48 |
| 118735001 | C2 -63 | 10 | 157237001 | Ga | 56 | S12441001 | G -29 | 26 | S38175001 | T -7 | 48 |
| 118837001 | Z -18 | 50 | 158592001 | Ga | 56 | | H -35 | 28 | S38176101 | T -8 | 48 |
| 119755001 | Z -123 | 52 | 159163000 | D3 -30 | 20 | S12699000 | G -16 | 26 | S38265000 | F -46 | 24 |
| 120265002 | A -27 | 2 | 159224001 | G -19 | 26 | S13399001 | D1 -58 | 16 | S38648001 | Z -34 | 50 |
| 120448001 | H -23 | 28 | 159486001 | H -9 | 28 | S15665001 | Z -12 | 50 | S38713100 | B -33 | 4 |
| 122991001 | Z -10 | 50 | | H -25 | 28 | | Sp | 54 | S39116100 | P -3 | 42 |
| 138843001 | Z -49 | 50 | 159805001 | G -12 | 26 | S15667001 | Sp | 54 | S40214001 | Ga | 56 |
| 141362001 | D1 -34 | 16 | 200190001 | Z -76 | 52 | S16492101 | Sp | 54 | S40574209 | Z -29 | 50 |

索引 / INDEX

| CODE | REF.NO | Page | CODE | REF.NO | Page | CODE | REF.NO | Page | CODE | REF.NO | Page |
|-----------|--------|------|-----------|--------|------|-----------|--------|------|-----------|--------|------|
| S41205001 | K -3 | 34 | SA1984001 | H -12 | 28 | SA3319101 | J -42 | 30 | SA4173001 | B -4 | 4 |
| S41206001 | K -2 | 34 | SA1988001 | H -26 | 28 | SA3320101 | J -46 | 30 | SA4174001 | B -4 | 4 |
| S41848000 | D3 -32 | 20 | SA1994001 | H -31 | 28 | SA3321001 | J -47 | 30 | SA4175001 | B -4 | 4 |
| S42446001 | A -37 | 2 | SA2040001 | A -31 | 2 | SA3324001 | J -51 | 30 | SA4177001 | B -10 | 4 |
| | C2 -22 | 8 | | Wa | 53 | SA3325001 | J -52 | 30 | SA4178001 | B -13 | 4 |
| | C2 -39 | 8 | SA2041001 | Wa | 53 | SA3327101 | J -55 | 30 | SA4179001 | B -6 | 4 |
| | C2 -43 | 8 | SA2041011 | A -31 | 2 | SA3330001 | J -58 | 32 | SA4180001 | B -7 | 4 |
| | C2 -60 | 8 | SA2161001 | D1 -28 | 16 | SA3334001 | J -62 | 32 | SA4199001 | E -18 | 22 |
| S42843001 | Ga | 56 | SA2173201 | Sp | 54 | SA3335001 | J -63 | 32 | SA4224001 | C2 -64 | 10 |
| S42844001 | Ga | 56 | SA2195001 | D1 -54 | 16 | SA3336001 | Ga | 56 | | D2 -58 | 18 |
| S42845001 | Ga | 56 | SA2287001 | K -15 | 34 | SA3336101 | Sp | 54 | | D3 -28 | 20 |
| S42846001 | Ga | 56 | SA2663001 | D1 -40 | 16 | SA3347001 | L -11 | 36 | SA4302001 | D1 -9 | 16 |
| S42847001 | Ga | 56 | SA2958001 | B -20 | 4 | SA3348001 | L -14 | 36 | SA4333001 | G -3 | 26 |
| S42848001 | Ga | 56 | SA3200101 | A -23 | 2 | SA3349001 | L -15 | 36 | SA4354001 | J -56 | 30 |
| S42849101 | Ga | 56 | SA3206001 | B -5 | 4 | SA3384001 | Z -99 | 52 | SA4518001 | J -59 | 32 |
| S43236009 | N -9 | 40 | | B -9 | 4 | SA3385001 | Z -101 | 52 | SA4519001 | J -60 | 32 |
| S43674000 | N -10 | 40 | SA3224001 | B -31 | 4 | SA3387001 | Z -118 | 52 | SA4545001 | J -43 | 30 |
| S43675000 | N -11 | 40 | SA3226001 | E -1 | 22 | SA3392001 | Z -98 | 52 | SA4546001 | J -35 | 30 |
| S44010001 | A -40 | 2 | SA3227001 | D1 -42 | 16 | SA3395001 | Z -97 | 52 | SA4563001 | N -4 | 40 |
| S44483001 | Z -83 | 52 | | E -2 | 22 | SA3438001 | D2 -16 | 18 | SA4594001 | A -1 | 2 |
| S44484001 | Z -84 | 52 | SA3228101 | E -3 | 22 | SA3441001 | D2 -43 | 18 | SA4596001 | A -3 | 2 |
| S44485001 | Z -88 | 52 | SA3231001 | C3 -13 | 12 | | D2 -48 | 18 | SA4597001 | A -6 | 2 |
| S44924001 | F -57 | 24 | | C3 -31 | 12 | | D3 -22 | 20 | SA4598001 | A -8 | 2 |
| S45849000 | F -26 | 24 | | C4 -18 | 14 | SA3481001 | Q -7 | 44 | SA4600001 | A -10 | 2 |
| S46903001 | J -19 | 30 | | E -5 | 22 | SA3499001 | B -2 | 4 | SA4601001 | A -12 | 2 |
| S47307001 | F -59 | 24 | SA3233001 | E -7 | 22 | SA3503201 | F -8 | 24 | SA4603101 | A -14 | 2 |
| S48664001 | Sp | 54 | SA3238101 | E -14 | 22 | SA3504201 | F -9 | 24 | SA4604001 | A -25 | 2 |
| S49448001 | Ga | 56 | SA3241001 | E -19 | 22 | SA3519101 | T -1 | 48 | SA4605001 | A -36 | 2 |
| S49484000 | M1 -9 | 38 | SA3242001 | F -56 | 24 | SA3528001 | B -26 | 4 | SA4606001 | B -1 | 4 |
| S49984000 | F -13 | 24 | SA3244001 | F -1 | 24 | SA3538001 | J -69 | 32 | SA4608101 | B -12 | 4 |
| S49992000 | F -19 | 24 | SA3246001 | F -30 | 24 | SA3540001 | Z -7 | 50 | SA4609101 | B -16 | 4 |
| S50529000 | F -21 | 24 | SA3250001 | G -1 | 26 | | Z -106 | 52 | SA4622001 | B -28 | 4 |
| S51282101 | Z -32 | 50 | SA3254001 | G -8 | 26 | SA3581001 | M1 -14 | 38 | SA4624001 | B -42 | 4 |
| S51283001 | Z -30 | 50 | SA3255001 | G -10 | 26 | SA3707001 | C2 -53 | 8 | SA4626001 | B -37 | 4 |
| S51668000 | F -52 | 24 | SA3256001 | G -17 | 26 | | C2 -58 | 8 | SA4627001 | B -38 | 4 |
| S53175000 | F -24 | 24 | SA3257101 | Sp | 55 | SA3720001 | M1 -2 | 38 | SA4628001 | B -39 | 4 |
| S53488000 | C4 -4 | 14 | SA3258001 | G -21 | 26 | SA3722001 | M1 -8 | 38 | SA4629001 | B -40 | 4 |
| S53982000 | P -23 | 42 | SA3264001 | A -17 | 2 | SA3724101 | M1 -5 | 38 | SA4630001 | B -45 | 4 |
| S55479001 | C4 -13 | 14 | SA3274101 | F -58 | 24 | SA3739301 | M1 -6 | 38 | SA4635101 | C1 -4 | 6 |
| | Z -129 | 52 | SA3280001 | F -31 | 24 | SA3744001 | M1 -7 | 38 | SA4636101 | C1 -7 | 6 |
| S55482001 | C3 -40 | 12 | SA3283101 | E -40 | 22 | SA3755201 | M2 -1 | 40 | SA4637001 | C1 -2 | 6 |
| | C4 -23 | 14 | SA3284001 | E -32 | 22 | SA3762001 | M2 -5 | 40 | SA4638001 | C1 -18 | 6 |
| S55484001 | C2 -42 | 8 | SA3290001 | H -2 | 28 | SA3765001 | M2 -2 | 40 | SA4639001 | C1 -14 | 6 |
| | C3 -50 | 12 | SA3291001 | H -4 | 28 | SA3766001 | M2 -3 | 40 | SA4640001 | C1 -12 | 6 |
| S55484002 | C3 -55 | 12 | SA3293001 | H -11 | 28 | SA3767001 | M2 -4 | 40 | SA4641001 | C1 -9 | 6 |
| | C4 -39 | 14 | SA3294001 | H -14 | 28 | SA3768001 | M2 -6 | 40 | SA4642001 | C1 -22 | 6 |
| | C4 -39 | 14 | SA3295001 | H -16 | 28 | SA3769001 | M2 -7 | 40 | SA4643001 | C1 -25 | 6 |
| | C4 -44 | 14 | SA3296001 | H -21 | 28 | SA3770001 | M2 -8 | 40 | SA4647001 | C1 -27 | 6 |
| | J -13 | 30 | SA3297001 | H -22 | 28 | SA3771001 | M2 -9 | 40 | | C2 -4 | 8 |
| S55485001 | C3 -45 | 12 | SA3298001 | H -28 | 28 | SA3794001 | M2 -10 | 40 | | C2 -7 | 8 |
| | C4 -28 | 14 | SA3299001 | H -29 | 28 | SA3795001 | M2 -11 | 40 | | C2 -14 | 8 |
| | C4 -33 | 14 | SA3301101 | J -1 | 30 | SA3796001 | M1 -15 | 38 | | D2 -27 | 18 |
| | K -25 | 34 | SA3306001 | A -26 | 2 | SA3797001 | M1 -4 | 38 | | D3 -10 | 20 |
| S55663001 | Z -16 | 50 | | J -15 | 30 | SA3806001 | M1 -10 | 38 | SA4648001 | C1 -28 | 6 |
| S56877000 | F -25 | 24 | | L -16 | 36 | SA3808001 | M1 -3 | 38 | SA4649001 | C1 -11 | 6 |
| S59221201 | Sp | 54 | SA3307001 | J -8 | 30 | SA3831001 | N -2 | 40 | SA4650001 | C1 -30 | 6 |
| S59886001 | E -29 | 22 | SA3309101 | J -16 | 30 | SA3833101 | N -3 | 40 | SA4651101 | C1 -32 | 6 |
| SA1174001 | D1 -49 | 16 | SA3310001 | J -17 | 30 | SA4104001 | Z -92 | 52 | SA4652101 | C1 -33 | 6 |
| SA1175001 | D1 -50 | 16 | SA3311001 | J -18 | 30 | SA4143001 | G -15 | 26 | SA4653001 | C2 -2 | 8 |
| SA1645019 | Sp | 55 | SA3312001 | J -28 | 30 | SA4146001 | G -28 | 26 | SA4654001 | C2 -5 | 8 |
| SA1752016 | Sp | 55 | SA3313101 | J -29 | 30 | | Sp | 55 | SA4655101 | C2 -9 | 8 |
| SA1890201 | Sp | 54 | SA3315001 | J -21 | 30 | SA4171001 | H -5 | 28 | | C2 -15 | 8 |
| SA1967001 | K -11 | 34 | SA3317001 | J -36 | 30 | SA4172001 | B -4 | 4 | SA4658001 | C2 -11 | 8 |

| CODE | REF.NO | Page | CODE | REF.NO | Page | CODE | REF.NO | Page | CODE | REF.NO | Page |
|-----------|---------|------|-----------|---------|------|-----------|---------|------|-----------|---------|------|
| SA4659001 | C2 - 12 | 8 | SA4729001 | D2 - 1 | 18 | SA4798001 | J - 3 | 30 | SA5260001 | F - 44 | 24 |
| SA4661001 | C2 - 13 | 8 | SA4731001 | D2 - 3 | 18 | SA4799001 | J - 14 | 30 | SA5261001 | Q - 13 | 44 |
| SA4662001 | C2 - 17 | 8 | SA4734001 | D2 - 4 | 18 | SA4801001 | J - 37 | 30 | SA5281001 | P - 1 | 42 |
| SA4663001 | C2 - 18 | 8 | SA4736001 | D2 - 6 | 18 | SA4802001 | J - 53 | 30 | SA5282001 | P - 5 | 42 |
| SA4664001 | C2 - 19 | 8 | SA4737001 | D2 - 9 | 18 | SA4806001 | K - 6 | 34 | SA5283001 | P - 4 | 42 |
| SA4665001 | C2 - 20 | 8 | SA4738001 | D2 - 15 | 18 | SA4811001 | Sp | 55 | SA5285001 | P - 9 | 42 |
| SA4666001 | B - 30 | 4 | SA4739001 | D2 - 17 | 18 | | Ga | 56 | SA5286001 | P - 12 | 42 |
| SA4667101 | C2 - 24 | 8 | SA4741101 | D2 - 18 | 18 | SA4820101 | C2 - 50 | 8 | SA5288001 | P - 24 | 42 |
| SA4670101 | C2 - 31 | 8 | | D3 - 1 | 20 | SA4823101 | C2 - 55 | 8 | SA5289001 | P - 2 | 42 |
| SA4671001 | C2 - 25 | 8 | SA4742001 | D2 - 19 | 18 | SA4824001 | Q - 10 | 44 | SA5290001 | P - 22 | 42 |
| SA4672001 | C2 - 26 | 8 | | D3 - 2 | 20 | SA4826101 | D2 - 21 | 18 | SA5292001 | F - 14 | 24 |
| SA4673001 | C2 - 32 | 8 | SA4743001 | D2 - 24 | 18 | | D3 - 4 | 20 | | F - 23 | 24 |
| SA4675201 | C2 - 34 | 8 | | D3 - 7 | 20 | SA4828001 | D2 - 22 | 18 | SA5294001 | F - 6 | 24 |
| SA4676001 | C2 - 38 | 8 | SA4744001 | D2 - 26 | 18 | | D3 - 5 | 20 | SA5300001 | D1 - 51 | 16 |
| SA4677101 | C2 - 35 | 8 | | D3 - 9 | 20 | SA4830001 | Q - 5 | 44 | SA5301001 | D1 - 53 | 16 |
| SA4679101 | C2 - 44 | 8 | SA4745001 | D2 - 31 | 18 | SA4834001 | N - 1 | 40 | SA5339101 | F - 54 | 24 |
| SA4680101 | C2 - 45 | 8 | | D3 - 14 | 20 | SA4836001 | N - 7 | 40 | SA6038001 | T - 2 | 48 |
| SA4681001 | C2 - 46 | 8 | SA4746001 | D2 - 34 | 18 | SA4837001 | N - 5 | 40 | SA6087001 | F - 17 | 24 |
| SA4682001 | C2 - 47 | 8 | SA4747001 | D2 - 38 | 18 | SA4841001 | N - 6 | 40 | SA6108001 | B - 35 | 4 |
| SA4684001 | C2 - 51 | 8 | | D3 - 17 | 20 | SA4842001 | Z - 1 | 50 | SA6182001 | B - 19 | 4 |
| | C2 - 56 | 8 | SA4748001 | D2 - 40 | 18 | SA4844001 | Z - 4 | 50 | SA6194001 | A - 39 | 2 |
| SA4686101 | C3 - 1 | 12 | | D3 - 19 | 20 | SA4845001 | Z - 107 | 52 | SA6207001 | A - 18 | 2 |
| | C4 - 1 | 14 | SA4749101 | D2 - 42 | 18 | SA4846001 | Z - 108 | 52 | SA6216001 | E - 12 | 22 |
| SA4687101 | C3 - 2 | 12 | | D3 - 21 | 20 | SA4847001 | Z - 112 | 52 | SA6220001 | E - 16 | 22 |
| SA4688001 | C3 - 4 | 12 | SA4750001 | D2 - 47 | 18 | SA4852001 | C4 - 47 | 14 | SA6260001 | F - 51 | 24 |
| SA4689001 | C3 - 5 | 12 | SA4752001 | D2 - 53 | 18 | SA4853001 | D1 - 39 | 16 | SA6261001 | Z - 128 | 52 |
| SA4690001 | C3 - 7 | 12 | SA4753001 | D2 - 55 | 18 | SA4855001 | L - 1 | 36 | SA6263001 | F - 50 | 24 |
| SA4691001 | C3 - 8 | 12 | | D3 - 26 | 20 | SA4860101 | C2 - 29 | 8 | SA6267001 | C1 - 38 | 6 |
| SA4692001 | C3 - 9 | 12 | SA4757001 | D3 - 33 | 20 | SA4861101 | C2 - 30 | 8 | SA6272001 | A - 15 | 2 |
| | C3 - 27 | 12 | SA4759001 | D1 - 1 | 16 | SA4863001 | C3 - 37 | 12 | SA6273001 | J - 70 | 32 |
| | C4 - 14 | 14 | SA4760001 | D1 - 2 | 16 | | C4 - 20 | 14 | SA6306001 | C2 - 61 | 8 |
| SA4693001 | C3 - 16 | 12 | SA4761001 | D1 - 7 | 16 | SA4864001 | C3 - 39 | 12 | SA6364001 | M1 - 1 | 38 |
| SA4694001 | C3 - 18 | 12 | SA4762001 | D1 - 8 | 16 | | C4 - 22 | 14 | SA6389001 | L - 9 | 36 |
| SA4695001 | C3 - 20 | 12 | SA4763001 | D1 - 3 | 16 | SA4866101 | C3 - 49 | 12 | SA6391001 | G - 5 | 26 |
| SA4696001 | C3 - 15 | 12 | SA4764001 | D1 - 11 | 16 | SA4868101 | C4 - 37 | 14 | SA6405001 | P - 17 | 42 |
| SA4697001 | C3 - 17 | 12 | SA4765001 | D1 - 13 | 16 | SA4869101 | C4 - 38 | 14 | SA6405002 | P - 28 | 42 |
| SA4698001 | C3 - 21 | 12 | SA4766001 | D1 - 16 | 16 | SA4870101 | C4 - 45 | 14 | SA6406001 | P - 18 | 42 |
| SA4699001 | C3 - 33 | 12 | SA4767001 | D1 - 17 | 16 | SA4871101 | C4 - 46 | 14 | SA6406002 | P - 29 | 42 |
| SA4700001 | C3 - 22 | 12 | SA4768001 | D1 - 18 | 16 | SA5135001 | J - 4 | 30 | SA6407001 | P - 19 | 42 |
| SA4701001 | C3 - 24 | 12 | SA4769001 | D1 - 19 | 16 | SA5157001 | J - 57 | 32 | SA6434001 | C2 - 40 | 8 |
| SA4702001 | C3 - 25 | 12 | SA4770001 | D1 - 21 | 16 | SA5158001 | B - 47 | 4 | SA6435001 | C2 - 41 | 8 |
| SA4703001 | C3 - 26 | 12 | SA4771001 | D1 - 27 | 16 | SA5164001 | S - 1 | 46 | SA6441001 | A - 41 | 2 |
| SA4706001 | C3 - 43 | 12 | SA4772001 | D1 - 22 | 16 | SA5165001 | S - 2 | 46 | | | |
| | C4 - 26 | 14 | SA4773001 | D1 - 23 | 16 | SA5166001 | S - 3 | 46 | | | |
| SA4708001 | C3 - 44 | 12 | SA4775001 | D1 - 38 | 16 | SA5167001 | S - 7 | 46 | | | |
| SA4709001 | C3 - 48 | 12 | SA4776001 | D1 - 43 | 16 | SA5168001 | S - 6 | 46 | | | |
| | C4 - 31 | 14 | SA4777001 | D1 - 26 | 16 | SA5170001 | S - 4 | 46 | | | |
| | C4 - 36 | 14 | SA4778001 | D1 - 47 | 16 | SA5172001 | S - 5 | 46 | | | |
| SA4712001 | C3 - 41 | 12 | SA4779001 | D1 - 32 | 16 | SA5191001 | P - 15 | 42 | | | |
| | C4 - 24 | 14 | SA4780001 | D1 - 35 | 16 | SA5208001 | K - 1 | 34 | | | |
| SA4714001 | C3 - 42 | 12 | SA4781001 | D1 - 33 | 16 | SA5210001 | Q - 11 | 44 | | | |
| | C4 - 25 | 14 | SA4782001 | E - 4 | 22 | SA5213001 | K - 24 | 34 | | | |
| SA4715001 | C3 - 54 | 12 | SA4783001 | E - 10 | 22 | SA5214001 | Q - 12 | 44 | | | |
| | C4 - 43 | 14 | SA4785001 | F - 2 | 24 | SA5217001 | K - 5 | 34 | | | |
| SA4717001 | C4 - 2 | 14 | SA4786001 | F - 7 | 24 | SA5218001 | K - 8 | 34 | | | |
| SA4719001 | C4 - 5 | 14 | SA4787001 | F - 4 | 24 | SA5219001 | K - 17 | 34 | | | |
| SA4720001 | C4 - 7 | 14 | SA4788001 | F - 11 | 24 | SA5221001 | Sp | 54 | | | |
| SA4721001 | C4 - 8 | 14 | SA4789101 | F - 32 | 24 | | Ga | 56 | | | |
| SA4722001 | C4 - 10 | 14 | SA4790001 | F - 36 | 24 | SA5222001 | Ga | 56 | | | |
| SA4723001 | C4 - 11 | 14 | SA4791001 | F - 37 | 24 | SA5229101 | C1 - 1 | 6 | | | |
| SA4724001 | C4 - 12 | 14 | SA4795001 | H - 1 | 28 | SA5230001 | B - 50 | 4 | | | |
| SA4725001 | C4 - 27 | 14 | SA4796001 | H - 20 | 28 | SA5251001 | Z - 109 | 52 | | | |
| SA4726001 | C4 - 32 | 14 | SA4797101 | H - 38 | 28 | SA5259001 | F - 43 | 24 | | | |

brother®



パーツブック
PARTS BOOK

ブラザー工業株式会社 <http://www.brother.co.jp/>

〒467-8561 名古屋市瑞穂区苗代町 15 番 1 号 TEL (052) 824-2392

BROTHER INDUSTRIES, LTD. <http://www.brother.com/>

15-1, Naeshiro-cho, Mizuho-ku, Nagoya 467-8561, Japan. Phone : 81-52-824-2177

©2005 Brother Industries, Ltd. All Rights Reserved.

BAS-311G, 326G
SA6237-001.J/E
2005.04.B (1)